

## 6.2 T826 Transmitter PCB

This section contains the following information.

IPN	Section	Page
<b>220-01262-01</b>	Parts List	6.2.3
	Mechanical & Miscellaneous Parts	6.2.7
	Grid Reference Index	6.2.9
	PCB Layout - Top Side	6.2.13
	PCB Layout - Bottom Side	6.2.14
	Test Points & Options - Top & Bottom Side	6.2.15
	Synthesiser Circuit Diagram	6.2.17
	Audio Processor Circuit Diagram	6.2.18
	Regulators Circuit Diagram	6.2.19
	PA Circuit Diagram	6.2.20



## T826 Parts List (IPN 220-01262-01)

### How To Use This Parts List

The components listed in this parts list are divided into two main types: those with a circuit reference (e.g. C2, D1, R121, etc) and those without (miscellaneous and mechanical).

Those with a circuit reference are grouped in alphabetical order and then in numerical order within each group. Each component entry comprises three or four columns: the circuit reference, variant (if applicable), IPN and description. A number in the variant column indicates that this is a variant component which is fitted only to the product type listed.

The miscellaneous and mechanical section lists the variant and common parts in IPN order.

### Parts List Amendments

- C180/C181 150pF chip capacitors (IPN 015-23150-01) added to the microphone jack input on the bottom of the PCB to reduce audio distortion to meet European EMC requirements - PCB grid reference 2:C7 (95/11-7109).
- C450 470µF capacitor added (IPN 020-09470-07 - positive to the leg of L321 connected to Q322 emitter, negative to ground) to meet UK intermod. specification - PCB grid reference 1:K10 (92/11-784).
- C451 470µF capacitor added (IPN 020-09470-07 - positive to D403 cathode [13.8V supply], negative to ground) to meet UK intermod. specification - PCB grid reference 1:U5 (92/11-784).
- R132/R133/  
R134/R135 These zero ohm resistors have been replaced by wire links (95/02-058).

Ref	Var	IPN	Description	Ref	Var	IPN	Description
<b>Note:</b> %D107 and %D108 are optional level limiting diodes for special applications.  =R17 (47 ohm) and =SK2 are fitted in place of =IC1 when an external frequency reference is used. These two components are supplied with the T800-06 auxiliary D-range kit.				C101		020-58100-03	CAP ELECT AI RDL 10M 50V 5X11MM
				C102		020-07470-91	CAP ELECT RADL 4M7 63V 6X11MM BI-POLAR
				C103		020-07470-91	CAP ELECT RADL 4M7 63V 6X11MM BI-POLAR
				C104		015-24100-08	CAP CER 0805 CHIP 1N 10% X7R 50V
				C105		015-24100-08	CAP CER 0805 CHIP 1N 10% X7R 50V
				C106		015-24220-08	CAP CER 0805 CHIP 2N2 10% X7R 50V
				C107		020-08220-01	CAP ELECT RADL 22M 16V 5X11MM
				C108		015-24100-08	CAP CER 0805 CHIP 1N 10% X7R 50V
				C109		015-24100-08	CAP CER 0805 CHIP 1N 10% X7R 50V
				C110		015-24100-08	CAP CER 0805 CHIP 1N 10% X7R 50V
				C111		015-22470-01	CAP CER 0805 CHIP 47P 5% NPO 50V
				C112		020-08220-01	CAP ELECT RADL 22M 16V 5X11MM
				C113		015-25100-08	CAP CER 0805 CHIP 10N 10% X7R 50V
				C115		015-06100-08	CAP CER 1206 CHIP 100N 10% X7R 50V
				C118		015-06100-08	CAP CER 1206 CHIP 100N 10% X7R 50V
				C119		020-07470-91	CAP ELECT RADL 4M7 63V 6X11MM BI-POLAR
				C121		015-06100-08	CAP CER 1206 CHIP 100N 10% X7R 50V
				C123		015-23470-08	CAP CER 0805 CHIP 470P 10% X7R 50V
				C124		015-21470-01	CAP CER 0805 CHIP 4P7 +/-0.25P NPO 50V
				C126		015-06100-08	CAP CER 1206 CHIP 100N 10% X7R 50V
				C128		015-23470-08	CAP CER 0805 CHIP 470P 10% X7R 50V
				C129		020-58470-02	CAP ELECT AI RDL 47M 16V 6X11MM
				C133		015-24470-08	CAP CER 0805 CHIP 4N7 10% X7R 50V
				C135		015-22470-01	CAP CER 0805 CHIP 47P 5% NPO 50V
				C137		020-08220-01	CAP ELECT RADL 22M 16V 5X11MM
				C139		015-06100-08	CAP CER 1206 CHIP 100N 10% X7R 50V
				C141		015-05470-08	CAP CER 1206 CHIP 47N 10% X7R 50V
				C145		015-06100-08	CAP CER 1206 CHIP 100N 10% X7R 50V
				C146		015-24100-08	CAP CER 0805 CHIP 1N 10% X7R 50V
				C147		020-57100-02	CAP ELECT AI RDL 1M 50V 5X11MM
				C148		015-05220-08	CAP CER 1206 CHIP 22N 10% X7R 50V
				C149		015-06100-08	CAP CER 1206 CHIP 100N 10% X7R 50V
				C150		020-58100-03	CAP ELECT AI RDL 10M 50V 5X11MM
				C151		015-21470-01	CAP CER 0805 CHIP 4P7 +/-0.25P NPO 50V
				C152		020-59100-06	CAP ELECT AI RDL 100M 16V 6.3X11MM
				C153		015-24100-08	CAP CER 0805 CHIP 1N 10% X7R 50V
				C154		020-59100-06	CAP ELECT AI RDL 100M 16V 6.3X11MM
				C156		020-07470-91	CAP ELECT RADL 4M7 63V 6X11MM BI-POLAR
				&C157	10	015-21150-01	CAP CER 0805 CHIP 1P5 +/-0.25P NPO 5
				&C157	15	015-21470-01	CAP CER 0805 CHIP 4P7 +/-0.25P NPO 5
				C158		015-05470-08	CAP CER 1206 CHIP 47N 10% X7R 50V
				C160		015-05470-08	CAP CER 1206 CHIP 47N 10% X7R 50V
				C161		015-24100-08	CAP CER 0805 CHIP 1N 10% X7R 50V
				C162		020-07470-91	CAP ELECT RADL 4M7 63V 6X11MM BI-POLAR
				C163		020-07470-91	CAP ELECT RADL 4M7 63V 6X11MM BI-POLAR
				C164		015-23470-08	CAP CER 0805 CHIP 470P 10% X7R 50V
				C166		015-05470-08	CAP CER 1206 CHIP 47N 10% X7R 50V
C1		015-06100-08	CAP CER 1206 CHIP 100N 10% X7R 50V				
C2		015-24100-08	CAP CER 0805 CHIP 1N 10% X7R 50V				
C3		015-06100-08	CAP CER 1206 CHIP 100N 10% X7R 50V				
C4		015-23100-01	CAP CER 0805 CHIP 100P 5% NPO 50V				
C5		015-24100-08	CAP CER 0805 CHIP 1N 10% X7R 50V				
C6		015-24100-08	CAP CER 0805 CHIP 1N 10% X7R 50V				
C7		015-24100-08	CAP CER 0805 CHIP 1N 10% X7R 50V				
C9		015-24100-08	CAP CER 0805 CHIP 1N 10% X7R 50V				
C10		015-24100-08	CAP CER 0805 CHIP 1N 10% X7R 50V				
C11		015-24100-08	CAP CER 0805 CHIP 1N 10% X7R 50V				
C12		015-24100-08	CAP CER 0805 CHIP 1N 10% X7R 50V				
C13		015-06100-08	CAP CER 1206 CHIP 100N 10% X7R 50V				
C15		020-58100-03	CAP ELECT AI RDL 10M 50V 5X11MM				
C16		015-06100-08	CAP CER 1206 CHIP 100N 10% X7R 50V				
C17		015-22560-01	CAP CER 0805 CHIP 56P 5% NPO 50V				
C19		015-24100-08	CAP CER 0805 CHIP 1N 10% X7R 50V				
C20		015-23470-08	CAP CER 0805 CHIP 470P 10% X7R 50V				
C21		015-24100-08	CAP CER 0805 CHIP 1N 10% X7R 50V				
C25		025-08100-02	CAP TANT BEAD 10M 10% 16V				
C26		015-25100-08	CAP CER 0805 CHIP 10N 10% X7R 50V				
C29		022-57100-02	CAP MYLAR AI 1M 20% 50V POTTED				
C30		020-58100-03	CAP ELECT AI RDL 10M 50V 5X11MM				
C33		015-06100-08	CAP CER 1206 CHIP 100N 10% X7R 50V				
C34		020-58100-03	CAP ELECT AI RDL 10M 50V 5X11MM				
C35		020-58100-03	CAP ELECT AI RDL 10M 50V 5X11MM				
C36		015-06100-08	CAP CER 1206 CHIP 100N 10% X7R 50V				
C39		015-06100-08	CAP CER 1206 CHIP 100N 10% X7R 50V				
C40		015-21820-01	CAP CER 0805 CHIP 8P2 +/-0.25P NPO 50V				
C42		022-05100-01	CAP MYLAR 10N 10% 50V				
C43		015-25100-08	CAP CER 0805 CHIP 10N 10% X7R 50V				
C44		015-23220-01	CAP CER 0805 CHIP 220P 5% NPO 50V				
C45		015-24470-08	CAP CER 0805 CHIP 4N7 10% X7R 50V				
C46		015-06100-08	CAP CER 1206 CHIP 100N 10% X7R 50V				
C47		015-23220-01	CAP CER 0805 CHIP 220P 5% NPO 50V				
C48		020-58470-02	CAP ELECT AI RDL 47M 16V 6X11MM				

Ref	Var	IPN	Description	Ref	Var	IPN	Description
C180		015-23150-01	CAP CER 0805 CHIP 150P 5% NPO 50V	D5		001-10000-99	(S) DIODE SMD BAV99 DUAL SWTCH SNGLE INLI
C181		015-23150-01	CAP CER 0805 CHIP 150P 5% NPO 50V	D6		001-10000-99	(S) DIODE SMD BAV99 DUAL SWTCH SNGLE INLI
C209		020-58100-03	CAP ELECT AI RDL 10M 50V 5X11MM	D100		001-10000-56	(S) DIODE SMD BAW56 DUAL SWITCH SOT-23
C212		015-06100-08	CAP CER 1206 CHIP 100N 10% X7R 50V	D101		001-10000-99	(S) DIODE SMD BAV99 DUAL SWITCH SNGLE IN
C213		025-08100-02	CAP TANT BEAD 10M 10% 16V	D102		001-10000-56	(S) DIODE SMD BAW56 DUAL SWITCH SOT-23
C214		015-06100-08	CAP CER 1206 CHIP 100N 10% X7R 50V	D103		001-10000-56	(S) DIODE SMD BAW56 DUAL SWITCH SOT-23
C215		025-08100-02	CAP TANT BEAD 10M 10% 16V	D104		001-10000-99	(S) DIODE SMD BAV99 DUAL SWITCH SNGLE IN
C216		015-06100-08	CAP CER 1206 CHIP 100N 10% X7R 50V	D106		001-00015-29	(S) DIODE ZENER 33V 0.4W BZX79/C33
C217		015-24100-08	CAP CER 0805 CHIP 1N 10% X7R 50V	D204		001-10000-70	(S) DIODE SMD BAV70 DUAL SWITCH SOT-23
C218		015-24100-08	CAP CER 0805 CHIP 1N 10% X7R 50V	D205		001-10000-70	(S) DIODE SMD BAV70 DUAL SWITCH SOT-23
C219		020-09470-07	CAP 470M 16V 20% ELEC VERT 8*20 3.5MM L	D206		001-10000-99	(S) DIODE SMD BAV99 DUAL SWITCH SNGLE IN
C220		015-24470-08	CAP CER 0805 CHIP 4N7 10% X7R 50V	D207		001-10000-70	(S) DIODE SMD BAV70 DUAL SWITCH SOT-23
C221		015-24100-08	CAP CER 0805 CHIP 1N 10% X7R 50V	D208		001-10000-70	(S) DIODE SMD BAV70 DUAL SWITCH SOT-23
C222		020-59100-06	CAP ELECT AI RDL 100M 16V 6.3X11MM	D209		001-10000-70	(S) DIODE SMD BAV70 DUAL SWITCH SOT-23
C223		020-07220-01	CAP ELECT RADL 2M2 50V 5X11MM	D210		001-00015-17	(S) DIODE ZENER 9V1 0.4W BZX79/C9V1
C224		025-07330-01	CAP TANT BEAD 3M3 35V	D211		001-10000-70	(S) DIODE SMD BAV70 DUAL SWITCH SOT-23
C225		015-24470-08	CAP CER 0805 CHIP 4N7 10% X7R 50V	D311		001-00015-69	(S) DIODE ZENER 11V 0.5W LO CURRENT HZ1
C226		020-57100-02	CAP ELECT AI RDL 1M 50V 5X11MM	D341		001-10000-18	(S) DIODE SMD BAT18 BANDSWITCH SOT-23 S
C227		020-58100-03	CAP ELECT AI RDL 10M 50V 5X11MM	D342		001-10000-18	(S) DIODE SMD BAT18 BANDSWITCH SOT-23 S
C228		015-24100-08	CAP CER 0805 CHIP 1N 10% X7R 50V	D343		001-10000-18	(S) DIODE SMD BAT18 BANDSWITCH SOT-23 S
C229		015-24100-08	CAP CER 0805 CHIP 1N 10% X7R 50V	D381		001-00013-45	(S) DIODE SCHOTTKY 1SS97/2
C230		015-24100-08	CAP CER 0805 CHIP 1N 10% X7R 50V	D382		001-00013-45	(S) DIODE SCHOTTKY 1SS97/2
C231		015-24100-08	CAP CER 0805 CHIP 1N 10% X7R 50V	D403		001-00011-60	(S) DIODE SR2607 6A/30V
C232		015-06100-08	CAP CER 1206 CHIP 100N 10% X7R 50V				
C233		015-06100-08	CAP CER 1206 CHIP 100N 10% X7R 50V	=IC1		539-00010-41	TCXO 12.8MHZ +/-2.5PPM -30 TO +70C NDK N
C234		015-23120-01	CAP CER 0805 CHIP 120P 5% NPO 50V	IC3		002-00017-51	(S) IC SP8793 DUAL MOD PRESC 40/41
C301		025-08100-02	CAP TANT BEAD 10M 10% 16V	IC4		002-74045-20	(S) IC 74HC4520 DUAL 4BIT SYNCRO CNTR
C302		015-24100-08	CAP CER 0805 CHIP 1N 10% X7R 50V	IC5		002-00017-63	(S) IC NJ8820DP FREQ SYNTHESIZER
C303		015-24100-08	CAP CER 0805 CHIP 1N 10% X7R 50V	IC6		002-00012-47	(S) IC MC33078 DUAL OP AMP LO NOISE
C304		015-24470-08	CAP CER 0805 CHIP 4N7 10% X7R 50V	IC7		002-74000-04	(S) IC 74HCU04 UNBUFF HEX INVERTER
C305		025-08100-02	CAP TANT BEAD 10M 10% 16V	IC100		002-00020-50	(S) IC 4N254 OPTOCOUPLER
C306		015-24100-08	CAP CER 0805 CHIP 1N 10% X7R 50V	IC101		002-00015-30	(S) IC 4053B 2CHAN MUX/DEMUX
C307		015-24100-08	CAP CER 0805 CHIP 1N 10% X7R 50V	IC102		002-00014-40	(S) IC 324 QUAD OP AMP
C311		015-24100-08	CAP CER 0805 CHIP 1N 10% X7R 50V	IC103		002-00012-25	(S) IC TL084 QUAD OP AMP JFET I/P
C312		015-24100-08	CAP CER 0805 CHIP 1N 10% X7R 50V	IC104		002-00012-40	(S) IC 358 DUAL OP AMP
C313		015-24100-08	CAP CER 0805 CHIP 1N 10% X7R 50V	IC201		002-00014-62	(S) IC 317L 100MA REG 3 TERMINAL TO-92
C321		015-25100-08	CAP CER 0805 CHIP 10N 10% X7R 50V	IC202		002-00014-40	(S) IC 324 QUAD OP AMP
C322		015-24100-08	CAP CER 0805 CHIP 1N 10% X7R 50V	IC301		002-00012-40	(S) IC 358 DUAL OP AMP
C323		015-24470-08	CAP CER 0805 CHIP 4N7 10% X7R 50V				
C324		015-24100-08	CAP CER 0805 CHIP 1N 10% X7R 50V	LED1		008-00013-32	(S) LED 3MM RED LO CURRENT NO MTG
C325		015-24100-08	CAP CER 0805 CHIP 1N 10% X7R 50V	LED2		008-00013-35	(S) LED 3MM GREEN LO CURRENT NO MTG
C326		015-24100-08	CAP CER 0805 CHIP 1N 10% X7R 50V				
C327		015-24100-08	CAP CER 0805 CHIP 1N 10% X7R 50V	L1		056-00021-04	IND FXD 330NH AXIAL
C330		015-06100-08	CAP CER 1206 CHIP 100N 10% X7R 50V	L301		056-00021-00	IND FXD 3.3UH AXIAL
C331		015-25470-08	CAP CER 0805 CHIP 47N 10% X7R 50V	L321		056-00021-00	IND FXD 3.3UH AXIAL
C332		020-07470-04	CAP ELECT RADL 4M7 25V 20% 8X13MM SOLID	L332		056-00021-00	IND FXD 3.3UH AXIAL
C333		015-24470-08	CAP CER 0805 CHIP 4N7 10% X7R 50V	L341		056-00021-00	IND FXD 3.3UH AXIAL
C341		015-24100-08	CAP CER 0805 CHIP 1N 10% X7R 50V	L351		052-56145-35	COIL A/W 3.5T/4.5MM HOR 0.56MM
C342		015-24100-08	CAP CER 0805 CHIP 1N 10% X7R 50V	L352		052-56135-25	COIL A/W 2.5T/3.5MM HOR 0.56MM WIRE
C343		015-24100-08	CAP CER 0805 CHIP 1N 10% X7R 50V	L353		065-00010-08	BEAD FERRITE 4S3 3*0.7*10MM RED
C344		015-24100-08	CAP CER 0805 CHIP 1N 10% X7R 50V	L355		052-08155-55	COIL A/W 5.5T/5.5MM HOR 0.8MM WIRE
C345		015-24100-08	CAP CER 0805 CHIP 1N 10% X7R 50V	L356		052-08150-55	COIL A/W 5.5T/5.0MM HOR 0.8MM WIRE
C346		015-24100-08	CAP CER 0805 CHIP 1N 10% X7R 50V	L361		052-08135-55	COIL A/W 5.5T/3.5MM HOR 0.8MM WIRE
C350		015-24470-08	CAP CER 0805 CHIP 4N7 10% X7R 50V	L362		052-08140-15	COIL A/W 1.5T/4.0MM HOR 0.8MM WIRE
C351		015-24100-08	CAP CER 0805 CHIP 1N 10% X7R 50V	L363		052-08140-65	COIL A/W 6.5T/4.0MM HOR 0.8MM WIRE
C352		015-23120-01	CAP CER 0805 CHIP 120P 5% NPO 50V	L364		065-00010-01	BEAD FERRITE 3B 6 HOLE
C353		015-23120-01	CAP CER 0805 CHIP 120P 5% NPO 50V	L365		065-00010-04	BEAD FERRITE F8 4X2X5MM
C354		015-24100-08	CAP CER 0805 CHIP 1N 10% X7R 50V	L366		065-00010-04	BEAD FERRITE F8 4X2X5MM
C355		015-22330-01	CAP CER 0805 CHIP 33P 5% NPO 50V	L367		056-00021-04	IND FXD 330NH AXIAL
C357		015-25470-08	CAP CER 0805 CHIP 47N 10% X7R 50V	L368		065-00010-01	BEAD FERRITE 3B 6 HOLE
C360		015-03680-06	CAP CER 1210 CHIP 680P NPO 200V GRM42	L371		052-08130-25	COIL A/W 2.5T/3.0MM HOR 0.8MM WIRE
C361		015-22820-01	CAP CER 0805 CHIP 82P 5% NPO 50V	L372		052-08320-10	COIL A/W 1.7T/0.8MM SMD 0.8MM WIRE
C362		015-03100-06	CAP CER 1210 CHIP 100P NPO 500V GRM42-2	L373		065-00010-01	BEAD FERRITE 3B 6 HOLE
C363		015-02680-06	CAP CER 1210 CHIP 68P NPO 500V GRM42-2	L374		065-00010-04	BEAD FERRITE F8 4X2X5MM
C364		015-25470-08	CAP CER 0805 CHIP 47N 10% X7R 50V	L375		052-08150-55	COIL A/W 5.5T/5.0MM HOR 0.8MM WIRE
C365		020-07470-04	CAP ELECT RADL 4M7 25V 20% 8X13MM SOLID	L381		052-08130-15	COIL A/W 1.5T/3.0MM HOR 0.8MM WIRE
C366		015-25470-08	CAP CER 0805 CHIP 47N 10% X7R 50V	L382		052-08140-35	COIL A/W 3.5T/4.0MM HOR 0.8MM WIRE
C371		015-03120-06	CAP CER 1210 CHIP 120P NPO 500V GRM42-2	L383		056-00021-00	IND FXD 3.3UH AXIAL
C372		015-03680-06	CAP CER 1210 CHIP 68P NPO 500V GRM42	L384		056-00021-62	IND FXD 680NH 10% PHENOLIC
C373		015-03470-03	CAP CER CHIP 470P 5% NPO 200V HIQ GRH11	L385		056-00021-62	IND FXD 680NH 10% PHENOLIC
C374		020-07470-04	CAP ELECT RADL 4M7 25V 20% 8X13MM SOLID	L386		056-00021-00	IND FXD 3.3UH AXIAL
C375		015-03680-06	CAP CER 1210 CHIP 680P NPO 200V GRM42	L387		052-08135-85	COIL A/W 8.5T/3.5MM HOR 0.8MM WIRE
C376		015-25470-08	CAP CER 0805 CHIP 47N 10% X7R 50V	L391		052-08155-45	COIL A/W 4.5T/5.5MM HOR 0.8MM WIRE
C377		017-15470-01	CAP CER SURFACE BARRIER 47N 20% 50V	L392		052-08155-15	COIL A/W 1.5T/3.0MM HOR 0.8MM WIRE
C380		015-02270-06	CAP CER 1210 CHIP 27P NPO 500V GRM42-2	L393		052-08155-45	COIL A/W 4.5T/5.5MM HOR 0.8MM WIRE
C381		015-02470-06	CAP CER 1210 CHIP 47P NPO 500V GRM42-2	L394		052-08135-85	COIL A/W 8.5T/3.5MM HOR 0.8MM WIRE
C382		015-02470-06	CAP CER 1210 CHIP 47P NPO 500V GRM42-2				
C383		015-24470-08	CAP CER 0805 CHIP 4N7 10% X7R 50V	PL1		240-00020-57	HEADER 10 WAY 1 ROW PCB MTG
C384		015-03270-03	CAP CER CHIP 270P 5% NPO 200V HIQ GRH11	PL100		240-00020-67	HEADER 6WAY 2X3 PCB MTG STD
C385		015-02390-06	CAP CER 1210 CHIP 39P NPO 500V GRM42-2	PL101		240-00020-67	HEADER 6WAY 2X3 PCB MTG STD
C386		015-02390-06	CAP CER 1210 CHIP 39P NPO 500V GRM42-2	PL102		240-00020-44	HEADER 10WAY 2ROW STRAIGHT PCB MTG (5"
C387		015-24100-08	CAP CER 0805 CHIP 1N 10% X7R 50V	PL103		240-00020-67	HEADER 6WAY 2X3 PCB MTG STD
C388		015-21560-01	CAP CER 0805 CHIP 5P6 +/-0.25P NPO 50V	PL200		240-00010-55	PLUG 15 WAY D RANGE WIRE WRAP PINS PNL M
C389		015-03680-06	CAP CER 1210 CHIP 680P NPO 200V GRM42	PL201		240-00020-59	HEADER 3 WAY 1 ROW PCB MTG
C390		015-21560-01	CAP CER 0805 CHIP 5P6 +/-0.25P NPO 50V				
C391		015-24100-08	CAP CER 0805 CHIP 1N 10% X7R 50V	Q1		000-10057-10	(S) XSTR SMD MMBR571 NPN SOT-23 UHF LO PW
C392		015-24470-08	CAP CER 0805 CHIP 4N7 10% X7R 50V	Q5		000-10008-48	(S) XSTR SMD BCW60/BC848B215 NPN SOT23 AF
C393		015-02330-06	CAP CER 1210 CHIP 33P NPO 500V GRM42-2	Q6		000-10008-57	(S) XSTR SMD BCW70 PNP SOT23 AF SML SIG
C394		015-02330-06	CAP CER 1210 CHIP 33P NPO 500V GRM42-2	Q7		000-10008-48	(S) XSTR SMD BCW60/BC848B215 NPN SOT23 AF
C395		015-02330-06	CAP CER 1210 CHIP 33P NPO 500V GRM42-2	Q8		000-10008-48	(S) XSTR SMD BCW60/BC848B215 NPN SOT23 AF
C396		015-02220-06	CAP CER 1210 CHIP 22P 5% NPO 500V GRM42	Q9		000-10008-57	(S) XSTR SMD BCW70 PNP SOT23 AF SML SIG
C397		015-02330-06	CAP CER 1210 CHIP 33P NPO 500V GRM42-2	Q10		000-10008-48	(S) XSTR SMD BCW60/BC848B215 NPN SOT23 A
C398		015-02330-06	CAP CER 1210 CHIP 33P NPO 500V GRM42-2	Q11		000-10008-57	(S) XSTR SMD BCW70 PNP SOT23 AF SML SIG
C399		015-02330-06	CAP CER 1210 CHIP 33P NPO 500V GRM42-2	Q102		000-10008-57	(S) XSTR SMD BCW70 PNP SOT23 AF SML SIG
C450		020-09470-07	CAP 470M 16V 20% ELEC VERT 8*20 3.5MM L	Q103		000-10008-17	(S) XSTR SMD BC817-25 NPN SOT-23 AF LO
C451		020-09470-07	CAP 470M 16V 20% ELEC VERT 8*20 3.5MM L	Q104		000-10008-48	(S) XSTR SMD BCW60/BC848B215 NPN SOT23
				Q105		000-10008-17	(S) XSTR SMD BC817-25 NPN SOT-23 AF LO
D4		001-10000-70	(S) DIODE SMD BAV70 DUAL SWITCH SOT-23 CO	Q106		000-00011-91	(S) XSTR BD139 NPN AF PWR TO126

Ref	Var	IPN	Description	Ref	Var	IPN	Description
Q201		000-10008-48	(S) XSTR SMD BCW60/BC848B215 NPN SOT23	R124		036-14270-00	RES M/F 0805 CHIP 2K7 5%
Q208		000-10008-17	(S) XSTR SMD BC817-25 NPN SOT-23 AF LO	R127		036-16100-00	RES M/F 0805 CHIP 100K 5%
Q209		000-50011-30	(S) XSTR AI BC557B PNP TO-92 AF S/SIG	R128		036-16100-00	RES M/F 0805 CHIP 100K 5%
Q210		000-00012-15	(S) XSTR BD234 PNP AF PWR TO126	R131		036-17100-00	RES M/F 0805 CHIP 1M 5%
Q211		000-10008-07	(S) XSTR SMD BC807 PNP SOT-23 AF LO PWR	R136		036-15100-00	RES M/F 0805 CHIP 10K 5%
Q212		000-10008-57	(S) XSTR SMD BCW70 PNP SOT23 AF SML SIG	R141		036-16150-00	RES M/F 0805 CHIP 150K 5%
Q311		000-10008-48	(S) XSTR SMD BCW60/BC848B215 NPN SOT23	R143		036-14220-00	RES M/F 0805 CHIP 2K2 5%
Q312		000-10008-48	(S) XSTR SMD BCW60/BC848B215 NPN SOT23	R146		036-15220-00	RES M/F 0805 CHIP 22K 5%
Q321		000-10008-17	(S) XSTR SMD BC817-25 NPN SOT-23 AF LO	R147		036-15470-00	RES M/F 0805 CHIP 47K 5%
Q322		000-00012-15	(S) XSTR BD234 PNP AF PWR TO126	R148		036-16150-00	RES M/F 0805 CHIP 150K 5%
Q341		000-10008-57	(S) XSTR SMD BCW70 PNP SOT23 AF SML SIG	R149		036-15470-00	RES M/F 0805 CHIP 47K 5%
Q351		000-10095-10	(S) XSTR SMD MMBR951 NPN UHF SOT-23	R150		036-15470-00	RES M/F 0805 CHIP 47K 5%
Q352		000-00022-30	(S) XSTR 2N4427 NPN TO-39 VHF PWR DRIVE	R151		036-14470-00	RES M/F 0805 CHIP 4K7 5%
Q361		000-00021-65	(S) XSTR SD1012-9 NPN STUD MTG VHF PWR	&R152	10	036-15220-00	RES M/F 0805 CHIP 22K 5%
Q371		000-00000-60	(S) XSTR BLW60C 45W 175MHZ RF PWR.	&R152	15	036-15270-00	RES M/F 0805 CHIP 27K 5%
				R155		036-15100-00	RES M/F 0805 CHIP 10K 5%
R1		036-12100-00	RES M/F 0805 CHIP 10E 5%	R159		036-14220-00	RES M/F 0805 CHIP 2K2 5%
R2		036-12220-00	RES M/F 0805 CHIP 22E 5%	R162		036-13680-00	RES M/F 0805 CHIP 680E 5%
R3		036-17100-00	RES M/F 0805 CHIP 1M 5%	R163		036-14100-00	RES M/F 0805 CHIP 1K 5%
R4		036-12560-00	RES M/F 0805 CHIP 56E 5%	R164		036-13680-00	RES M/F 0805 CHIP 680E 5%
R6		036-17100-00	RES M/F 0805 CHIP 1M 5%	R166		036-17100-00	RES M/F 0805 CHIP 1M 5%
R7		036-14330-00	RES M/F 0805 CHIP 3K3 5%	R167		036-14680-00	RES M/F 0805 CHIP 6K8 5%
R8		036-14100-00	RES M/F 0805 CHIP 1K 5%	R168		036-17100-00	RES M/F 0805 CHIP 1M 5%
R9		036-13100-00	RES M/F 0805 CHIP 100E 5%	R169		036-16120-00	RES M/F 0805 CHIP 120K 5%
R10		036-13220-00	RES M/F 0805 CHIP 220E 5%	R170		036-15100-00	RES M/F 0805 CHIP 10K 5%
R11		036-17100-00	RES M/F 0805 CHIP 1M 5%	R171		036-14220-00	RES M/F 0805 CHIP 2K2 5%
R14		036-17100-00	RES M/F 0805 CHIP 1M 5%	R172		036-16470-00	RES M/F 0805 CHIP 470K 5%
R15		036-12680-00	RES M/F 0805 CHIP 68E 5%	R173		036-15100-00	RES M/F 0805 CHIP 10K 5%
R16		036-17100-00	RES M/F 0805 CHIP 1M 5%	R174		036-16330-00	RES M/F 0805 CHIP 330K 5%
R18		036-12100-00	RES M/F 0805 CHIP 10E 5%	R175		036-14100-00	RES M/F 0805 CHIP 1K 5%
R19		036-17100-00	RES M/F 0805 CHIP 1M 5%	R176		036-16100-00	RES M/F 0805 CHIP 100K 5%
R20		036-17100-00	RES M/F 0805 CHIP 1M 5%	R177		036-16100-00	RES M/F 0805 CHIP 100K 5%
R21		036-12100-00	RES M/F 0805 CHIP 10E 5%	R178		036-15560-00	RES M/F 0805 CHIP 56K 5%
R22		036-12220-00	RES M/F 0805 CHIP 22E 5%	R179		036-15560-00	RES M/F 0805 CHIP 56K 5%
R24		036-12220-00	RES M/F 0805 CHIP 22E 5%	R180		036-17100-00	RES M/F 0805 CHIP 1M 5%
R25		036-15150-00	RES M/F 0805 CHIP 15K 5%	R181		036-14220-00	RES M/F 0805 CHIP 2K2 5%
R29		036-16470-00	RES M/F 0805 CHIP 470K 5%	R182		036-14220-00	RES M/F 0805 CHIP 2K2 5%
R30		036-13220-00	RES M/F 0805 CHIP 220E 5%	R183		036-14820-00	RES M/F 0805 CHIP 8K2 5%
R32		036-14100-00	RES M/F 0805 CHIP 1K 5%	&R184	10	036-15150-00	RES M/F 0805 CHIP 15K 5%
R35		036-15100-00	RES M/F 0805 CHIP 10K 5%	&R184	15	036-15180-00	RES M/F 0805 CHIP 18K 5%
R36		036-16470-00	RES M/F 0805 CHIP 470K 5%	&R185	10	036-15470-00	RES M/F 0805 CHIP 47K 5%
R37		036-15100-00	RES M/F 0805 CHIP 10K 5%	&R185	15	036-15560-00	RES M/F 0805 CHIP 56K 5%
R38		036-15100-00	RES M/F 0805 CHIP 10K 5%	R186		036-15100-00	RES M/F 0805 CHIP 10K 5%
R39		036-16470-00	RES M/F 0805 CHIP 470K 5%	R187		036-15560-00	RES M/F 0805 CHIP 56K 5%
R40		036-16470-00	RES M/F 0805 CHIP 470K 5%	R188		036-17100-00	RES M/F 0805 CHIP 1M 5%
R42		036-14180-00	RES M/F 0805 CHIP 1K8 5%	R189		036-13560-00	RES M/F 0805 CHIP 560E 5%
R43		036-12220-00	RES M/F 0805 CHIP 22E 5%	R190		036-14220-00	RES M/F 0805 CHIP 2K2 5%
R46		036-14220-00	RES M/F 0805 CHIP 2K2 5%	R192		036-14270-00	RES M/F 0805 CHIP 2K7 5%
R47		036-14100-00	RES M/F 0805 CHIP 1K 5%	R194		036-15470-00	RES M/F 0805 CHIP 47K 5%
R48		036-14470-00	RES M/F 0805 CHIP 4K7 5%	R195		036-14470-00	RES M/F 0805 CHIP 4K7 5%
R49		036-14470-00	RES M/F 0805 CHIP 4K7 5%	R196		036-14470-00	RES M/F 0805 CHIP 4K7 5%
R50		036-15100-00	RES M/F 0805 CHIP 10K 5%	R197		036-14270-00	RES M/F 0805 CHIP 2K7 5%
R51		036-15100-00	RES M/F 0805 CHIP 10K 5%	RV201		042-07100-06	RES PRESET 1M CARBON 6MM FLAT
R52		036-15100-00	RES M/F 0805 CHIP 10K 5%	RV202		042-07100-06	RES PRESET 1M CARBON 6MM FLAT
R54		036-14100-00	RES M/F 0805 CHIP 1K 5%	R224		036-13100-00	RES M/F 0805 CHIP 100E 5%
R55		036-13100-00	RES M/F 0805 CHIP 100E 5%	R227		036-12100-00	RES M/F 0805 CHIP 10E 5%
R56		036-17100-00	RES M/F 0805 CHIP 1M 5%	R228		036-12330-00	RES M/F 0805 CHIP 33E 5%
R57		036-15270-00	RES M/F 0805 CHIP 27K 5%	R229		036-12330-00	RES M/F 0805 CHIP 33E 5%
R64		036-15150-00	RES M/F 0805 CHIP 15K 5%	R230		036-14470-00	RES M/F 0805 CHIP 4K7 5%
R65		036-16100-00	RES M/F 0805 CHIP 100K 5%	R231		036-14100-00	RES M/F 0805 CHIP 1K 5%
R67		036-14270-00	RES M/F 0805 CHIP 2K7 5%	R232		032-33270-00	RES M/F PWR 270E 5% 1W 12X4.5MM
R68		036-15270-00	RES M/F 0805 CHIP 27K 5%	R233		032-31100-00	RES M/F PWR 1E0 5% 1W 12X4.5MM
R69		036-15100-00	RES M/F 0805 CHIP 10K 5%	R234		032-31100-00	RES M/F PWR 1E0 5% 1W 12X4.5MM
R70		036-15100-00	RES M/F 0805 CHIP 10K 5%	R235		036-14680-00	RES M/F 0805 CHIP 6K8 5%
R71		036-15100-00	RES M/F 0805 CHIP 10K 5%	R236		036-15100-00	RES M/F 0805 CHIP 10K 5%
R72		036-15470-00	RES M/F 0805 CHIP 47K 5%	R237		036-15100-00	RES M/F 0805 CHIP 10K 5%
R73		036-13330-00	RES M/F 0805 CHIP 330E 5%	R238		036-16100-00	RES M/F 0805 CHIP 100K 5%
R74		036-12100-00	RES M/F 0805 CHIP 10E 5%	R239		036-16100-00	RES M/F 0805 CHIP 100K 5%
R75		036-12100-00	RES M/F 0805 CHIP 10E 5%	R240		036-15470-00	RES M/F 0805 CHIP 47K 5%
R76		036-15100-00	RES M/F 0805 CHIP 10K 5%	R241		036-16470-00	RES M/F 0805 CHIP 470K 5%
R78		036-10000-00	RES M/F 0805 CHIP ZERO OHM	R242		036-14100-00	RES M/F 0805 CHIP 1K 5%
RV100		040-05100-23	POT 10K LOG VERT PCB MTG 15MM SLOT SHA	R243		036-16100-00	RES M/F 0805 CHIP 100K 5%
R100		036-13100-00	RES M/F 0805 CHIP 100E 5%	R244		036-16100-00	RES M/F 0805 CHIP 100K 5%
R101		036-15100-00	RES M/F 0805 CHIP 10K 5%	R245		036-14150-00	RES M/F 0805 CHIP 1K5 5%
R102		036-13470-00	RES M/F 0805 CHIP 470E 5%	R246		036-15470-00	RES M/F 0805 CHIP 47K 5%
R103		036-13560-00	RES M/F 0805 CHIP 560E 5%	R247		036-16330-00	RES M/F 0805 CHIP 330K 5%
RV104		042-05470-06	RES PRESET 47K CARBON 6MM FLAT TOP ADJ	R248		036-16120-00	RES M/F 0805 CHIP 120K 5%
R104		036-13560-00	RES M/F 0805 CHIP 560E 5%	R249		036-16330-00	RES M/F 0805 CHIP 330K 5%
RV105		042-06100-06	RES PRESET 100K CARBON 6MM FLAT	R250		036-14100-00	RES M/F 0805 CHIP 1K 5%
R105		036-15100-00	RES M/F 0805 CHIP 10K 5%	R251		036-13560-00	RES M/F 0805 CHIP 560E 5%
RV106		042-04470-06	RES PRESET 4K7 CARBON 6MM FLAT	R252		036-16100-00	RES M/F 0805 CHIP 100K 5%
R106		036-14220-00	RES M/F 0805 CHIP 2K2 5%	R253		036-15150-00	RES M/F 0805 CHIP 15K 5%
R107		036-15100-00	RES M/F 0805 CHIP 10K 5%	R254		036-15560-00	RES M/F 0805 CHIP 56K 5%
R108		036-14100-00	RES M/F 0805 CHIP 1K 5%	R255		036-15100-00	RES M/F 0805 CHIP 10K 5%
R109		036-14390-00	RES M/F 0805 CHIP 3K9 5%	R256		036-15100-00	RES M/F 0805 CHIP 10K 5%
R110		036-15100-00	RES M/F 0805 CHIP 10K 5%	R258		036-15100-00	RES M/F 0805 CHIP 10K 5%
R111		036-16390-00	RES M/F 0805 CHIP 390K 5%	R259		036-14150-00	RES M/F 0805 CHIP 1K5 5%
R112		036-16100-00	RES M/F 0805 CHIP 100K 5%	R260		036-13470-00	RES M/F 0805 CHIP 470E 5%
R113		036-16100-00	RES M/F 0805 CHIP 100K 5%	RV300		042-04220-06	RES PRESET 2K2 CARBON 6MM FLAT
R115		036-15100-00	RES M/F 0805 CHIP 10K 5%	R301		036-15100-00	RES M/F 0805 CHIP 10K 5%
R116		036-16100-00	RES M/F 0805 CHIP 100K 5%	R302		036-12100-00	RES M/F 0805 CHIP 10E 5%
R117		036-15100-00	RES M/F 0805 CHIP 10K 5%	R303		045-04470-01	RES NTC 4K7 5% 5MM DISC
R118		036-13560-00	RES M/F 0805 CHIP 560E 5%	R304		036-14470-00	RES M/F 0805 CHIP 4K7 5%
R119		036-16100-00	RES M/F 0805 CHIP 100K 5%	R305		036-14100-00	RES M/F 0805 CHIP 1K 5%
R120		036-16100-00	RES M/F 0805 CHIP 100K 5%	R306		036-16220-00	RES M/F 0805 CHIP 220K 5%
R121		036-16100-00	RES M/F 0805 CHIP 100K 5%	RV307		036-14470-00	RES M/F 0805 CHIP 4K7 5%
R122		036-15120-00	RES M/F 0805 CHIP 12K 5%	RV311		042-05100-06	RES PRESET 10K CARBON 6MM FLAT
R123		036-15120-00	RES M/F 0805 CHIP 12K 5%	R312		036-15150-00	RES M/F 0805 CHIP 15K 5%

Ref	Var	IPN	Description	Ref	Var	IPN	Description
R313		036-14220-00	RES M/F 0805 CHIP 2K2 5%				
R314		036-14470-00	RES M/F 0805 CHIP 4K7 5%				
R315		036-14220-00	RES M/F 0805 CHIP 2K2 5%				
RV316		042-05470-06	RES PRESET 47K CARBON 6MM FLAT TOP ADJ				
R317		036-16470-00	RES M/F 0805 CHIP 470K 5%				
R318		036-15470-00	RES M/F 0805 CHIP 47K 5%				
R321		036-14100-00	RES M/F 0805 CHIP 1K 5%				
R322		036-15150-00	RES M/F 0805 CHIP 15K 5%				
R323		036-14470-00	RES M/F 0805 CHIP 4K7 5%				
R324		036-14220-00	RES M/F 0805 CHIP 2K2 5%				
R325		036-13390-00	RES M/F 0805 CHIP 390E 5%				
R326		036-13390-00	RES M/F 0805 CHIP 390E 5%				
R327		036-14220-00	RES M/F 0805 CHIP 2K2 5%				
R328		036-14100-00	RES M/F 0805 CHIP 1K 5%				
R331		030-53100-20	RES FILM AI 100E 5% 0.4W 4X1.6MM				
R332		030-54100-20	RES FILM AI 1K 5% 0.4W 4X1.6MM				
R333		030-51330-20	RES FILM AI 3E3 5% 0.4W 4X1.6MM				
R334		030-53470-20	RES FILM AI 470E 5% 0.4W 4X1.6MM				
R341		036-14100-00	RES M/F 0805 CHIP 1K 5%				
R342		036-12560-00	RES M/F 0805 CHIP 56E 5%				
R343		036-14270-00	RES M/F 0805 CHIP 2K7 5%				
R344		036-14100-00	RES M/F 0805 CHIP 1K 5%				
R345		036-14100-00	RES M/F 0805 CHIP 1K 5%				
R346		036-14270-00	RES M/F 0805 CHIP 2K7 5%				
R347		036-14100-00	RES M/F 0805 CHIP 1K 5%				
R348		036-14470-00	RES M/F 0805 CHIP 4K7 5%				
R351		036-12470-00	RES M/F 0805 CHIP 47E 5%				
R352		036-11330-00	RES M/F 0805 CHIP 3E3 5%				
R353		036-13330-00	RES M/F 0805 CHIP 330E 5%				
R354		036-15150-00	RES M/F 0805 CHIP 15K 5%				
R355		036-14100-00	RES M/F 0805 CHIP 1K 5%				
R356		030-52470-20	RES FILM AI 47E 5% 0.4W 4X1.6MM				
R357		030-54100-20	RES FILM AI 1K 5% 0.4W 4X1.6MM				
R358		030-53390-20	RES FILM AI 390E 5% 0.4W 4X1.6MM				
R359		030-02120-20	RES FILM 12E 5% 0.4W 4X1.6MM				
R360		030-53390-20	RES FILM AI 390E 5% 0.4W 4X1.6MM				
R361		030-53270-20	RES FILM AI 270E 5% 0.4W 4X1.6MM				
R362		030-52180-20	RES FILM AI 18E 5% 0.4W 4X1.6MM				
R363		030-53270-20	RES FILM AI 270E 5% 0.4W 4X1.6MM				
R364		032-33180-00	RES M/F PWR 180E 5% 1W 12X4.5MM				
R365		032-32100-00	RES M/F PWR 10E 5% 1W 10X4MM				
R366		036-11470-00	RES M/F 0805 CHIP 4E7 10%				
R367		032-33100-00	RES M/F PWR 100E 5% 1W 10X4MM				
R371		036-11470-00	RES M/F 0805 CHIP 4E7 10%				
R372		032-32220-00	RES M/F PWR 22E 5% 1W 12X4.5MM				
R373		032-33180-00	RES M/F PWR 180E 5% 1W 12X4.5MM				
R374		032-33180-01	RES M/F PWR 180E 5% 2.5W 17X5MM				
R381		036-15470-00	RES M/F 0805 CHIP 47K 5%				
R382		036-13270-00	RES M/F 0805 CHIP 270E 5%				
R383		036-12680-00	RES M/F 0805 CHIP 68E 5%				
R384		036-12680-00	RES M/F 0805 CHIP 68E 5%				
R385		036-13270-00	RES M/F 0805 CHIP 270E 5%				
R391		036-15470-00	RES M/F 0805 CHIP 47K 5%				
R392		036-15470-00	RES M/F 0805 CHIP 47K 5%				
R393		036-15470-00	RES M/F 0805 CHIP 47K 5%				
R425		036-12220-00	RES M/F 0805 CHIP 22E 5%				
R431		036-14270-00	RES M/F 0805 CHIP 2K7 5%				
S1		240-02100-06	SKT COAX N TYPE PNL MTG OPEN TERMN				
S98		240-02100-44	SKT COAX MINI JACK PCB MTG ANGLED				
S99		240-02100-44	SKT COAX MINI JACK PCB MTG ANGLED				
SJ2		240-04020-64	SKT JACK AN 0.98MM PCB MTG 64 WAY SIL ST				
SJ3		240-04020-64	SKT JACK AN 0.98MM PCB MTG 64 WAY SIL ST				
SJ4-1		240-04020-64	SKT JACK AN 0.98MM PCB MTG 64 WAY SIL				
SJ4-2		240-04020-64	SKT JACK AN 0.98MM PCB MTG 64 WAY SIL				
SJ4-3		240-04020-64	SKT JACK AN 0.98MM PCB MTG 64 WAY SIL				
SJ4-4		240-04020-64	SKT JACK AN 0.98MM PCB MTG 64 WAY SIL				
SJ4-5		240-04020-64	SKT JACK AN 0.98MM PCB MTG 64 WAY SIL				
SJ5-1		240-04020-64	SKT JACK AN 0.98MM PCB MTG 64 WAY SIL				
SJ5-2		240-04020-64	SKT JACK AN 0.98MM PCB MTG 64 WAY SIL				
SJ5-3		240-04020-64	SKT JACK AN 0.98MM PCB MTG 64 WAY SIL				
SJ5-4		240-04020-64	SKT JACK AN 0.98MM PCB MTG 64 WAY SIL				
SJ5-5		240-04020-64	SKT JACK AN 0.98MM PCB MTG 64 WAY SIL				
SK1		240-04020-57	SKT 10 WAY 1ROW PCB MTG TOP ENTRY				
=SK2		240-02100-44	SKT COAX MINI JACK PCB MTG ANGLED				
SK100		240-02020-05	SKT STEREO PHONE JACK PCB MTG				
SW101		232-00010-26	SWITCH PUSH SPDT RT ANGLE PCB MTG NO B				
T100		053-00010-17	XFMR T4030 LINE MATCH POTCORE				
T200		050-00016-50	COIL TAIT NO 650 455KHZ 5.6MM CAN				

## T826 Mechanical & Miscellaneous Parts (220-01262-01)

IPN	Description	IPN	Description
012-04150-01	CAP CER F/THRU 1N5 NO LEAD (C1-C15)	345-00040-20	SCREW M3*8MM BUTTON SKT HD BLACK ZINC PHOS Front panel.
065-00010-13	BEAD FERRITE 7D 1.9*0.9*3.8MM STACK POLE	349-00020-32	SCREW TAPTITE M3X8MM PAN POZI BZ PCB mounting x8, 'N' connector x4
200-00010-05	WIRE T/C 0.5MM For cct refs: R132, R133, R134, R135	349-00020-43	SCREW TAPTITE M4X12MM PAN POZI BZ For &Q423 (heatsink bracket), top cover x 14
201-00030-02	WIRE #1 T/C WIRE 7/0.2MM PVC RED 2x 30mm LEDs	349-00020-45	SCREW TAPTITE M4X20MM PAN POZI BZ Bottom cover x 14
201-00030-10	WIRE #1 T/C WIRE 7/0.2MM PVC BLACK 2x 35mm LEDs	352-00010-08	NUT M3 COLD FORM HEX ST BZ D-range socket x4, skt cover x4, VCO mtg x3
206-00010-11	CABLE COAX 50 OHM RG316-U PTFE 1x 140mm, 1 x 90mm	352-00010-29	NUT M4 NYLOC HEX
220-01262-01	PCB T826 TX 25W 66-88MHZ	352-00010-35	NUT 8-32 UNC HEX RF PWR XSTR MTG
232-00020-26	BUTTON PUSH FOR 232-00010-26 SWITCH SW101	353-00010-10	WASHER M3 FLAT 7MM*0.6MM ST BZ For float plate
240-00010-55	PLUG 15 WAY D RANGE WIRE WRAP PINS PNL MTG PL200	353-00010-11	WASHER M3 FLAT 9.5MM*0.9MM ST BZ x4 for final carcassing kit
240-00100-43	PLUG COAX MINI PIN PLUG CRIMP 1.5D COAX	353-00010-12	WASHER M3 SPRING BZ OR Z/C D-range skt & cover
240-02010-54	SKT 15WAY DRANGE PNL MTG 125 DEG C	353-00010-13	WASHER M3 SHAKEPROOF INT BZ VCO mtg x3, D-range hole cover x2
240-02100-06	SKT COAX N TYPE PNL MTG OPEN TERMN S1	353-00010-24	WASHER M4 FLAT ST BZ A4M1957 For &Q423 (heatsink bracket)
240-04020-62	SKT 2 WAY RECEPTL SHORTING LINK	360-00010-40	BUSH SNAP BLACK HEYCO SB-375-4
303-11168-00	CHASSIS HSINK PNTD COMPLT A1M2364 800 SERIES	362-00010-23	GASKET SIL INSULATING TO-220 CLIP MTD
303-23118-00	COVER A3M2247 D RANGE HOLE T855/7 D-range connector	362-00010-33	GROMMET LED MTG 3MM LO CURRENT LEDS
303-50074-00	CLIP A3M2246 SPRING XSTR CLAMP T857	365-00011-53	LABEL WHITE RW2365/1 104*37MM SPECIAL ADHSV
303-50078-00	CLIP A4M2630 0.1MM SPRING WIRE CABLE CLAMP T8	365-00100-20	LABEL WHITE S/A 28X11MM QUIKSTIK RW718/4 Use label ref #414
306-01010-00	FERRULE A4M948 HANDLE FXD EQUIP Handle	365-01391-01	(L)LABEL BLNK 30*10.8MM TAMPERMARK VOID MATT
308-01007-00	HANDLE A4M949 FXD EQUIP	365-01500-00	LABEL CE CONFORMITY (12*24MM)
308-13090-00	HSINK A4M2361 BRKT COPPER T856	399-00010-51	BAG PLASTIC 75*100MM
312-01052-00	LID TOP PNTD COMPL A1M2364 800 SERIES	400-00020-05	SLEEVING 1.5MM SIL RUBBER
312-01053-00	LID BOTTOM PNTD COMPL A1M2364 800 SERIES	410-01056-00	CRTN STK#10 PRINTED 510X380X584MM
316-06471-01	PNL A3M2335/6 FRT T826 SCRNL COMPL	410-01081-00	CRTN T800 MODULE KIWI REF22860 PRD 402X192X6
316-85015-01	PIN A4M775 LOCATING D RANGE		
316-85099-00	PLATE FLOAT A2M2248 DUAL D RANGE SKT BOX		
316-85100-00	PLATE FRT A2M2249 DUAL D RANGE SKT BOX		
318-01014-00	RAIL A2M2214 FOR 800 SERIES FXD EQUIP		
319-01152-00	SHIELD A3M2250 F/THRU MTG T857		
345-00040-06	SCREW M3*8MM PAN POZI ST BZ Skt box x 2		
345-00040-08	SCREW M3*12MM PAN POZI ST BZ D-range cover		
345-00040-09	SCREW M3*6MM CSK POZI TRUNCATED HEAD ST BZ Rail mounting - pack with rails.		
345-00040-10	SCREW M3*6MM PAN POZI ST BZ Rail x 4, float plate x 4		
345-00040-11	SCREW M3X10MM PAN POZI ST BZ x4 for final carcassing kit		





## T826 Grid Reference Index (IPN 220-01262-01)

### How To Use This Grid Reference Index

The first digit in the PCB layout reference is a "1" or "2", indicating the top or bottom side layout respectively, and the last two characters give the location of the component on that diagram.

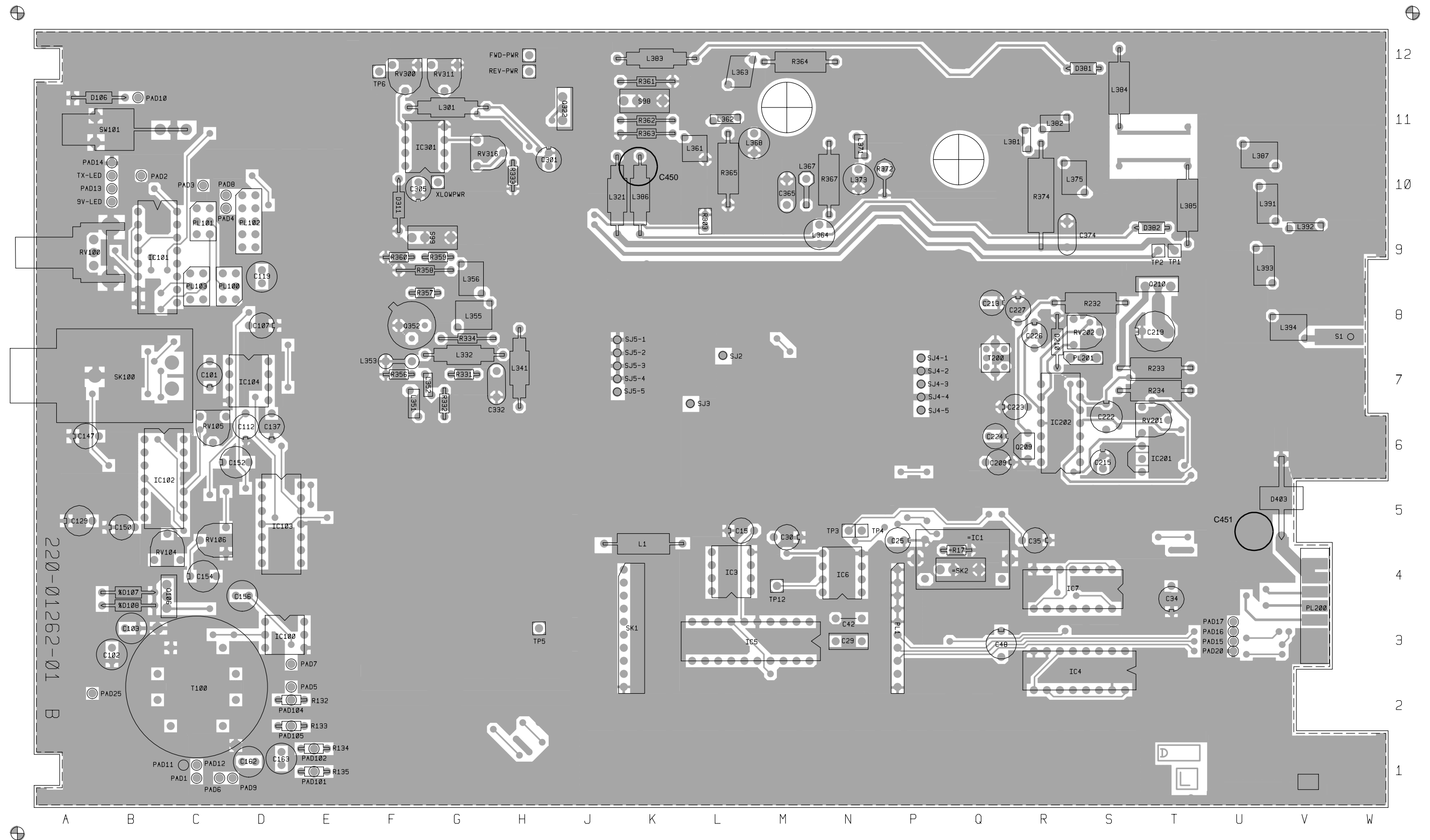
The first part of the circuit diagram reference is the abbreviated sheet name, and the last two characters give the location of the component on that sheet.

Device	PCB	Circuit	Device	PCB	Circuit	Device	PCB	Circuit	Device	PCB	Circuit
C1	2:Q4	SYNTH-A8	C137	1:D6	AUD-Q1	C324	2:H11	PA-F8	D6	2:P3	SYNTH-H8
C2	2:J5	SYNTH-B4	C139	2:D5	AUD-H0	C325	2:H11	PA-F8			SYNTH-H7
C3	2:L5	SYNTH-B5	C141	2:E4	AUD-R5	C326	2:H11	PA-G8	D100	2:C10	AUD-C2
C4	2:K5	SYNTH-B4	C145	2:B9	AUD-C5	C327	2:H11	PA-G8			AUD-D2
C5	2:K4	SYNTH-B5	C146	2:B6	AUD-F6	C330	2:R6	REG-C3	D101	2:C4	AUD-B1
C6	2:P4	SYNTH-B7	C147	1:A6	AUD-G4	C331	2:H11	PA-G7			AUD-B1
C7	2:K5	SYNTH-B5	C148	2:B7	AUD-H2	C332	1:H7	PA-Q8	D102	2:D3	AUD-B2
C9	2:K5	SYNTH-C4	C149	2:B6	AUD-H5	C333	2:G7	PA-Q8			AUD-B2
C10	2:L4	SYNTH-D5	C150	1:B5	AUD-J6	C341	2:H6	PA-J7	D103	2:C11	AUD-C3
C11	2:L4	SYNTH-E5	C151	2:D5	AUD-K2	C342	2:H6	PA-K7			AUD-D3
C12	2:L5	SYNTH-E4	C152	1:D6	AUD-L2	C343	2:G5	PA-L7	D104	2:B5	AUD-M5
C13	2:S4	SYNTH-E8	C153	2:B4	AUD-L6	C344	2:H9	PA-K8			AUD-L5
C15	1:L5	SYNTH-G4	C154	1:C4	AUD-M1	C345	2:G6	PA-L7	D106	1:B11	AUD-Q8
C16	2:L4	SYNTH-G4	C156	1:D4	AUD-N6	C346	2:H10	PA-K8	%D107	1:B4	AUD-B4
C17	2:L3	SYNTH-G2	&C157	2:E4	AUD-Q4	C350	2:F7	PA-L8	%D108	1:B4	AUD-C4
C19	2:P3	SYNTH-G2	C158	2:D6	AUD-R0	C351	2:G6	PA-L7	D204	2:Q6	REG-C2
C20	2:M3	SYNTH-H3	C160	2:C7	AUD-Q3	C352	2:G7	PA-M8			REG-C1
C21	2:T2	SYNTH-F8	C161	2:C5	AUD-F1	C353	2:F7	PA-M7	D205	2:U4	REG-C6
C25	1:P5	SYNTH-K5	C162	1:D1	AUD-A3	C354	2:G8	PA-P8			REG-C6
C26	2:N5	SYNTH-K2	C163	1:D1	AUD-A3	C355	2:H9	PA-Q7	D206	2:T8	REG-D4
C29	1:N3	SYNTH-M5	C164	2:E3	AUD-D0	C357	2:G8	PA-N8			REG-D5
C30	1:M5	SYNTH-N3	C166	2:D5	AUD-Q1	C360	2:M9	PA-E2	D207	2:R7	REG-H6
C33	2:P8	SYNTH-M5	C209	1:Q6	REG-A1	C361	2:L11	PA-D1			REG-J6
C34	1:T4	SYNTH-P7	C212	2:Q8	REG-D2	C362	2:L11	PA-D0	D208	2:S7	REG-L6
C35	1:R5	SYNTH-D8	C213	1:Q8	REG-D2	C363	2:L11	PA-D0			REG-L6
C36	2:R5	SYNTH-D8	C214	2:S6	REG-A3	C364	2:N12	PA-E2	D209	2:S8	REG-P5
C39	2:P7	SYNTH-Q6	C215	1:S6	REG-C3	C365	1:M10	PA-E2			REG-P5
C40	2:Q4	SYNTH-C7	C216	2:S6	REG-C4	C366	2:M10	PA-E3	D210	1:R7	REG-L5
C42	1:N3	SYNTH-L4	C217	2:U5	REG-C5	C371	2:M11	PA-F0	D211	2:R8	REG-M5
C43	2:R3	SYNTH-G6	C218	2:R6	REG-H4	C372	2:N11	PA-F1			REG-M5
C44	2:Q3	SYNTH-G7	C219	1:T8	REG-F3	C373	2:P11	PA-G0	D311	1:F10	PA-C8
C45	2:P7	SYNTH-N5	C220	2:T8	REG-F3	C374	1:R9	PA-G2	D341	2:H6	PA-K7
C46	2:L4	SYNTH-D5	C221	2:T8	REG-F3	C375	2:S10	PA-G2	D342	2:H6	PA-K7
C47	2:R3	SYNTH-J8	C222	1:S7	REG-J6	C376	2:R9	PA-H3	D343	2:G6	PA-L7
C48	1:Q3	SYNTH-G6	C223	1:R7	REG-N5	C377	2:Q11	PA-H2	D381	1:R12	PA-L2
C101	1:C7	AUD-B7	C224	1:Q6	REG-B1	C380	2:W9	PA-P0	D382	1:S9	PA-M1
C102	1:B3	AUD-C3	C225	2:Q7	REG-D1	C381	2:Q10	PA-J0	D403	1:V5	REG-D7
C103	1:B3	AUD-C3	C226	1:R8	REG-E1	C382	2:Q11	PA-J0	FWD-PWR	1:H12	PA-P3
C104	2:C11	AUD-C3	C227	1:R8	REG-F2	C383	2:H12	PA-K2	=IC1	1:Q4	SYNTH-B8
C105	2:C8	AUD-C6	C228	2:R6	REG-D3	C384	2:R11	PA-K0	IC3	1:M4	SYNTH-E4
C106	2:C8	AUD-C7	C229	2:T8	REG-E4	C385	2:S11	PA-K0	IC4	1:S3	SYNTH-F7
C107	1:D8	AUD-C8	C230	2:R7	REG-F1	C386	2:R11	PA-L0			SYNTH-G8
C108	2:D10	AUD-D2	C231	2:T8	REG-R6	C387	2:R12	PA-K2	IC5	1:M3	SYNTH-F3
C109	2:C11	AUD-D3	C232	2:Q6	REG-A1	C388	2:S12	PA-L2	IC6	1:N4	SYNTH-M3
C110	2:C10	AUD-D3	C233	2:R8	REG-G2	C389	2:S11	PA-L2			SYNTH-L5
C111	2:D11	AUD-E2	C234	2:S8	REG-M5	C390	2:T10	PA-M0			SYNTH-K3
C112	1:D6	AUD-E6	C301	1:H10	PA-A8	C391	2:S9	PA-M0	IC7	1:S4	SYNTH-D8
C113	2:D9	AUD-E2	C302	2:G12	PA-B7	C392	2:H12	PA-N0			SYNTH-D7
C115	2:C9	AUD-F6	C303	2:F11	PA-B7	C393	2:U11	PA-N0			SYNTH-D7
C118	2:B7	AUD-F7	C304	2:F10	PA-B8	C394	2:V10	PA-N0			SYNTH-K7
C119	1:D9	AUD-G3	C305	1:F10	PA-C8	C395	2:V10	PA-P0			SYNTH-H7
C121	2:B6	AUD-G7	C306	2:F12	PA-B7	C396	2:W10	PA-P0			SYNTH-H7
C123	2:A5	AUD-H7	C307	2:F11	PA-C7	C397	2:V9	PA-Q0	IC100	1:D3	AUD-D1
C124	2:C6	AUD-J1	C311	2:G10	PA-D7	C398	2:V9	PA-Q0	IC101	1:B10	AUD-E4
C126	2:B5	AUD-H0	C312	2:H12	PA-E9	C399	2:V8	PA-Q0	IC102	1:B6	AUD-G5
C128	2:A5	AUD-J7	C313	2:H10	PA-E7	D4	2:M4	SYNTH-J3			AUD-K5
C129	1:A5	AUD-K7	C321	2:G10	PA-E8			SYNTH-J3			AUD-F1
C133	2:D4	AUD-P4	C322	2:H9	PA-E7	D5	2:R4	SYNTH-K8			AUD-H2
C135	2:E5	AUD-Q4	C323	2:H12	PA-F9			SYNTH-K7			AUD-G0

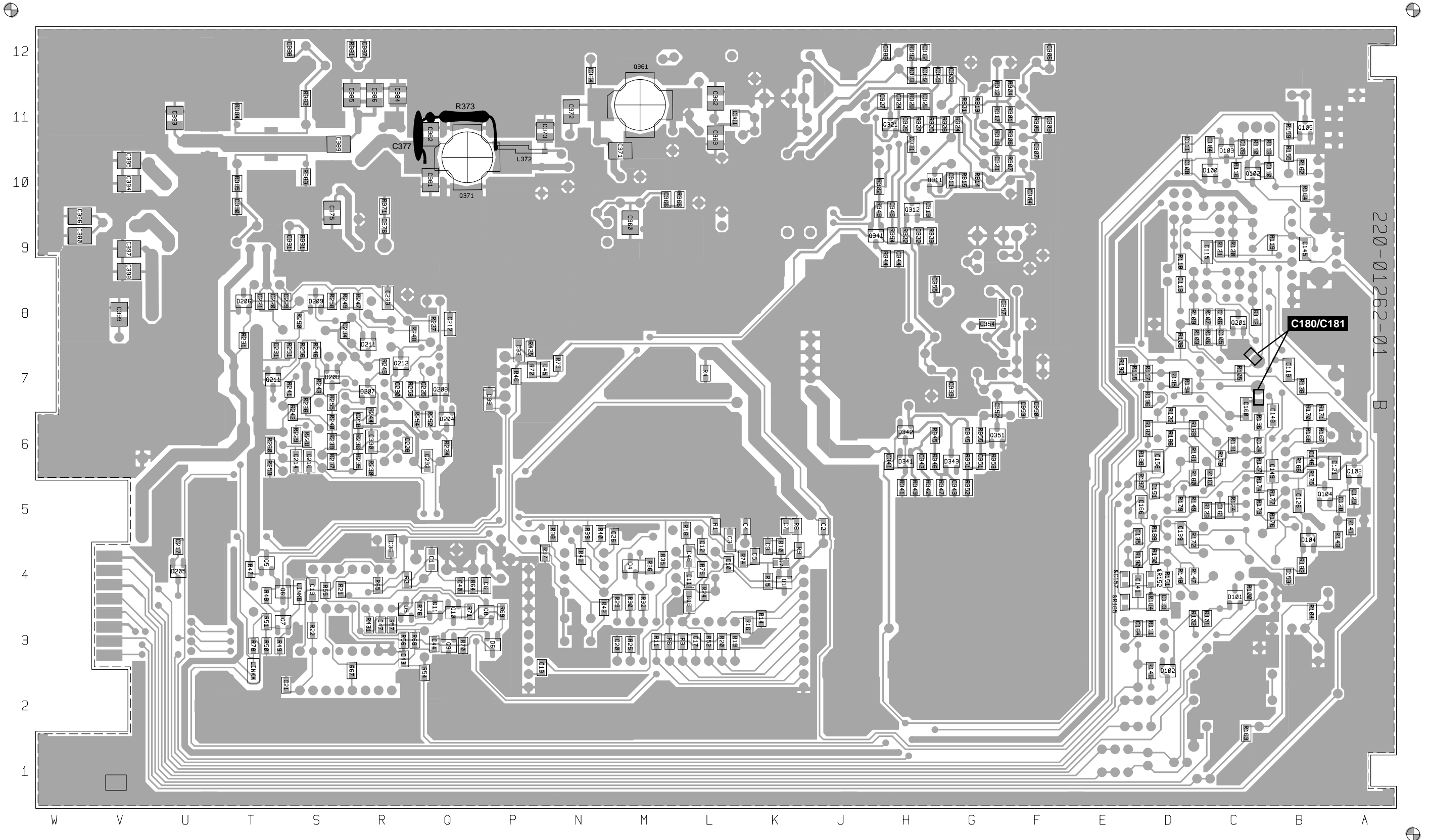
Device	PCB	Circuit	Device	PCB	Circuit	Device	PCB	Circuit	Device	PCB	Circuit
IC103	1:D5	AUD-H0	PL1	1:P4		R55	2:S4	SYNTH-K6	R176	2:B5	AUD-J6
		AUD-K2	PL100	1:D8		R56	2:R3	SYNTH-K6	R177	2:B5	AUD-J5
		AUD-N4	PL101	1:C10		R57	2:R3	SYNTH-J6	R178	2:C6	AUD-K2
		AUD-R4	PL102	1:D10		R64	2:Q4	SYNTH-C7	R179	2:D5	AUD-K3
		AUD-R1	PL103	1:C9		R65	2:R4	SYNTH-D7	R180	2:D6	AUD-K1
IC104	1:D7	AUD-N3	PL200	1:V4		R67	2:S3	SYNTH-G7	R181	2:D6	AUD-L1
		AUD-R2	PL201	1:R7	REG-M7	R68	2:R3	SYNTH-G6	R182	2:B4	AUD-L5
		AUD-M0	Q1	2:K4	SYNTH-C4	R69	2:P4	SYNTH-H8	R183	2:C6	AUD-L2
IC201	1:T6	REG-A3	Q5	2:T4	SYNTH-Q8	R70	2:Q3	SYNTH-H7	&R184	2:D4	AUD-Q5
IC202	1:S6	REG-C3	Q6	2:T4	SYNTH-Q7	R71	2:Q4	SYNTH-K8	&R185	2:E4	AUD-Q5
		REG-H6	Q7	2:T3	SYNTH-P7	R72	2:P7	SYNTH-N5	R186	2:D6	AUD-Q2
		REG-K6	Q8	2:P4	SYNTH-H8	R73	2:N7	SYNTH-N6	R187	2:D6	AUD-Q1
		REG-N5	Q9	2:Q3	SYNTH-H7	R74	2:L4	SYNTH-B5	R188	2:D6	AUD-R0
		REG-G4	Q10	2:Q3	SYNTH-J8	R75	2:L4	SYNTH-E5	R189	2:D5	AUD-Q4
IC301	1:G10	PA-C8	Q11	2:Q4	SYNTH-J7	R76	2:Q4	SYNTH-K7	R190	2:E4	AUD-R4
		PA-E8	Q102	2:C10	AUD-E3	R78	2:T3	SYNTH-N7	R192	2:E7	AUD-R2
		PA-C7	Q103	2:A6	AUD-H7	RV100	1:A9	AUD-B5	R194	2:D7	AUD-Q3
LINKA	2:T3	SYNTH-N7	Q104	2:B5	AUD-J8	R100	2:C4	AUD-B0	R195	2:D7	AUD-R2
LINKB	2:S4	SYNTH-P7	Q105	2:B11	AUD-Q8	R101	2:C3	AUD-B1	R196	2:D7	AUD-Q3
L1	1:L5	SYNTH-B4	Q106	1:C4	AUD-C1	R102	2:D3	AUD-C1	R197	2:D6	AUD-R0
L301	1:F11	PA-B7	Q201	2:C8	AUD-D7	R103	2:D8	AUD-C7	RV201	1:T6	REG-J7
L321	1:K9	PA-G9	Q208	2:Q7	REG-C0	R104	2:B4	AUD-C4	RV202	1:S8	REG-M5
L332	1:G7	PA-P8	Q209	1:R6	REG-D3	RV104	1:C5	AUD-J6	R224	2:Q6	REG-B1
L341	1:H7	PA-L8	Q210	1:T9	REG-E4	RV105	1:C6	AUD-Q3	R227	2:Q8	REG-F2
L351	1:F7	PA-M8	Q211	2:T7	REG-R5	R105	2:C7	AUD-C5	R228	2:S6	REG-A4
L352	1:G7	PA-N8	Q212	2:R7	REG-E1	R106	2:C8	AUD-C6	R229	2:S6	REG-A4
L353	1:F7	PA-N7	Q311	2:H10	PA-D7	RV106	1:C5	AUD-L1	R230	2:R6	REG-C3
L355	1:H8	PA-P8	Q312	2:H10	PA-E7	R107	2:C8	AUD-D7	R231	2:T8	REG-D4
L356	1:G9	PA-Q8	Q321	2:H11	PA-F8	R108	2:D8	AUD-D8	R232	1:S8	REG-D3
L361	1:L10	PA-D0	Q322	1:J11	PA-G8	R109	2:D8	AUD-D7	R233	1:T7	REG-E5
L362	1:L11	PA-E1	Q341	2:J9	PA-K8	R110	2:C11	AUD-D5	R234	1:T7	REG-E5
L363	1:L12	PA-E1	Q351	2:G6	PA-M7	R111	2:D3	AUD-D0	R235	2:R6	REG-E3
L364	1:N9	PA-F3	Q352	1:F8	PA-N8	R112	2:C8	AUD-D4	R236	2:R6	REG-E2
L365	1:M10	PA-F3	Q361	2:M11	PA-F1	R113	2:C11	AUD-D3	R237	2:S6	REG-G7
L366	1:M10	PA-F3	Q371	2:Q10	PA-H1	R115	2:E7	AUD-D6	R238	2:S7	REG-G7
L367	1:M10	PA-F2	REV-PWR	1:H12	PA-P2	R116	2:C10	AUD-E3	R239	2:S6	REG-G5
L368	1:M11	PA-E0	R1	2:L5	SYNTH-B6	R117	2:D7	AUD-E8	R240	2:S6	REG-H7
L371	1:N11	PA-G1	R2	2:R4	SYNTH-B8	R118	2:D9	AUD-E2	R241	2:S7	REG-J6
L372	2:P11	PA-G1	R3	2:L3	SYNTH-B1	R119	2:B9	AUD-E6	R242	2:S7	REG-J7
L373	1:N10	PA-H0	R4	2:L7	SYNTH-A4	R120	2:C9	AUD-E4	R243	2:S7	REG-K7
L374	1:R10	PA-J3	R6	2:M3	SYNTH-B1	R121	2:C9	AUD-E6	R244	2:R7	REG-K6
L375	1:R10	PA-H2	R7	2:K4	SYNTH-B5	R122	2:D7	AUD-E2	R245	2:R7	REG-K5
L381	1:R11	PA-K2	R8	2:K5	SYNTH-B5	R123	2:C5	AUD-F1	R246	2:S8	REG-K7
L382	1:R11	PA-K2	R9	2:K4	SYNTH-C5	R124	2:C5	AUD-F1	R247	2:R8	REG-N6
L383	1:L12	PA-K3	R10	2:K5	SYNTH-C4	R127	2:C6	AUD-H3	R248	2:R8	REG-N5
L384	1:S11	PA-L2	R11	2:M3	SYNTH-C1	R128	2:B7	AUD-G7	R249	2:S8	REG-P6
L385	1:T9	PA-L1	R14	2:K3	SYNTH-C1	R131	2:C6	AUD-J2	R250	2:S8	REG-Q5
L386	1:K11	PA-N0	R15	2:K4	SYNTH-C5	R132	1:E2	AUD-A2	R251	2:S8	REG-Q6
L387	1:V10	PA-N2	R16	2:K3	SYNTH-D1	R133	1:E2	AUD-A1	R252	2:Q6	REG-E0
L391	1:V10	PA-P2	=R17	1:Q4	SYNTH-B7	R134	1:E1	AUD-B3	R253	2:R7	REG-D1
L392	1:V9	PA-P1	R18	2:L5	SYNTH-D6	R135	1:E1	AUD-A4	R254	2:R6	REG-E0
L393	1:V9	PA-P2	R19	2:L3	SYNTH-D1	R136	2:C6	AUD-J1	R255	2:S7	REG-H7
L394	1:V8	PA-Q2	R20	2:L3	SYNTH-D1	R141	2:A5	AUD-K7	R256	2:S8	REG-L7
PAD1	1:C1	AUD-R7	R21	2:S4	SYNTH-D8	R143	2:A5	AUD-L7	R258	2:S8	REG-P6
PAD2	1:B10	AUD-R9	R22	2:S3	SYNTH-E8	R146	2:D3	AUD-M6	R259	2:T6	REG-B2
PAD3	1:C10	AUD-B2	R24	2:L4	SYNTH-G5	R147	2:D4	AUD-M1	R260	2:T6	REG-B3
PAD4	1:D10	AUD-R6	R25	2:M3	SYNTH-H3	R148	2:D4	AUD-N5	RV300	1:F12	PA-A7
PAD5	1:E2	AUD-N6	R29	2:M4	SYNTH-H4	R149	2:D5	AUD-N5	R301	2:F11	PA-A8
PAD6	1:C1	AUD-R8	R30	2:M4	SYNTH-H3	R150	2:D4	AUD-N4	R302	2:H10	PA-A8
PAD7	1:E3	AUD-N6	R32	2:M4	SYNTH-J3	R151	2:D4	AUD-P4	R303	1:L9	PA-A7
PAD8	1:D10	AUD-R6	R35	2:M4	SYNTH-J3	&R152	2:D4	AUD-P5	R304	2:F12	PA-B8
PAD9	1:D1	AUD-R7	R36	2:M4	SYNTH-J3	R155	2:B11	AUD-P9	R305	2:F11	PA-B7
PAD10	1:B11	AUD-R9	R37	2:P4	SYNTH-K5	R159	2:B11	AUD-P8	R306	2:F11	PA-C7
PAD11	1:C1	AUD-R7	R38	2:N5	SYNTH-K6	R162	2:B10	AUD-R9	R307	2:F10	PA-C7
PAD12	1:C1	AUD-R7	R39	2:N5	SYNTH-K3	R163	2:C2	AUD-Q8	RV311	1:G12	PA-D8
PAD13	1:B10	AUD-R6	R40	2:N5	SYNTH-K2	R164	2:B10	AUD-R6	R312	2:G12	PA-D8
PAD14	1:B10	AUD-R9	R42	2:N4	SYNTH-L5	R166	2:B6	AUD-G6	R313	2:G11	PA-D8
PAD15	1:U3	SYNTH-Q1	R43	2:N4	SYNTH-M4	R167	2:B6	AUD-G4	R314	2:G10	PA-D7
PAD16	1:U3	SYNTH-Q0	R46	2:P7	SYNTH-M5	R168	2:B6	AUD-H5	R315	2:G10	PA-D7
PAD17	1:U3	SYNTH-Q0	R47	2:T4	SYNTH-P8	R169	2:D6	AUD-H3	RV316	1:H11	PA-D7
PAD20	1:U3	SYNTH-Q0	R48	2:T4	SYNTH-P7	R170	2:B7	AUD-H4	R317	2:G11	PA-D8
PAD25	1:A2	AUD-R8	R49	2:T3	SYNTH-P6	R171	2:B7	AUD-H4	R318	2:G11	PA-D7
PAD101	1:E1	AUD-A4	R50	2:T3	SYNTH-N6	R172	2:D5	AUD-J7	R321	2:G11	PA-E9
PAD102	1:E1	AUD-A3	R51	2:T3	SYNTH-N7	R173	2:C5	AUD-J5	R322	2:H9	PA-F7
PAD104	1:E2	AUD-A2	R52	2:L3	SYNTH-H4	R174	2:C5	AUD-J5	R323	2:H9	PA-F7
PAD105	1:E2	AUD-A1	R54	2:Q3	SYNTH-G6	R175	2:B6	AUD-J8	R324	2:G11	PA-F9

<u>Device</u>	<u>PCB</u>	<u>Circuit</u>	<u>Device</u>	<u>PCB</u>	<u>Circuit</u>	<u>Device</u>	<u>PCB</u>	<u>Circuit</u>	<u>Device</u>	<u>PCB</u>	<u>Circuit</u>
R325	2:H11	PA-F9	XLOWPWR	1:G10	PA-D7						
R326	2:G11	PA-F9	9V-LED	1:B10	AUD-R6						
R327	2:H11	PA-F8									
R328	2:H11	PA-F9									
R331	1:G7	PA-M8									
R332	1:G7	PA-M8									
R333	1:H10	PA-G7									
R334	1:H8	PA-P8									
R341	2:H5	PA-J7									
R342	2:H5	PA-K7									
R343	2:H5	PA-K7									
R344	2:H9	PA-K8									
R345	2:H6	PA-K7									
R346	2:H6	PA-K7									
R347	2:H5	PA-K7									
R348	2:H10	PA-J8									
R351	2:G6	PA-L7									
R352	2:G5	PA-L7									
R353	2:G6	PA-L7									
R354	2:H9	PA-J8									
R355	2:G6	PA-M8									
R356	1:F7	PA-N7									
R357	1:G8	PA-N8									
R358	1:G9	PA-Q7									
R359	1:G9	PA-Q8									
R360	1:F9	PA-Q7									
R361	1:K12	PA-C0									
R362	1:K11	PA-C1									
R363	1:K11	PA-C0									
R364	1:N12	PA-E2									
R365	1:L11	PA-E0									
R366	2:M10	PA-E2									
R367	1:N10	PA-E2									
R371	2:R10	PA-H2									
R372	1:P10	PA-H0									
R373	2:Q11	PA-H2									
R374	1:R9	PA-H2									
R381	2:S12	PA-K2									
R382	2:S11	PA-L2									
R383	2:S10	PA-L1									
R384	2:T11	PA-M2									
R385	2:T10	PA-M1									
R391	2:S9	PA-M0									
R392	2:H12	PA-N3									
R393	2:H12	PA-N2									
R425	2:P8	SYNTH-M5									
R431	2:R3	SYNTH-H7									
S1	1:W8	PA-R2									
S98	1:K11	PA-B1									
S99	1:F9	PA-R8									
SJ2	1:L7	SYNTH-A4									
SJ3	1:L7	SYNTH-M7									
SJ4-1	1:P7	SYNTH-R5									
SJ4-2	1:P7	SYNTH-R6									
SJ4-3	1:P7	SYNTH-R6									
SJ4-4	1:P7	SYNTH-R6									
SJ4-5	1:P7	SYNTH-R7									
SJ5-1	1:K8	SYNTH-R4									
SJ5-2	1:K7	SYNTH-R4									
SJ5-3	1:K7	SYNTH-R3									
SJ5-4	1:K7	SYNTH-R3									
SJ5-5	1:K7	SYNTH-R4									
SK1	1:K4										
=SK2	1:P4	SYNTH-A8									
SK100	1:A7	AUD-A7									
SW101	1:B11	AUD-B5									
T100	1:C2	AUD-B3									
T200	1:Q7	REG-C1									
TP1	1:T9	PA-H3									
TP2	1:T9	PA-B8									
TP3	1:N5	SYNTH-N4									
TP4	1:N5	SYNTH-D8									
TP5	1:H3	REG-R5									
TP6	1:F12	PA-A7									
TP12	1:M4	SYNTH-L3									
TX-LED	1:B10	AUD-R9									

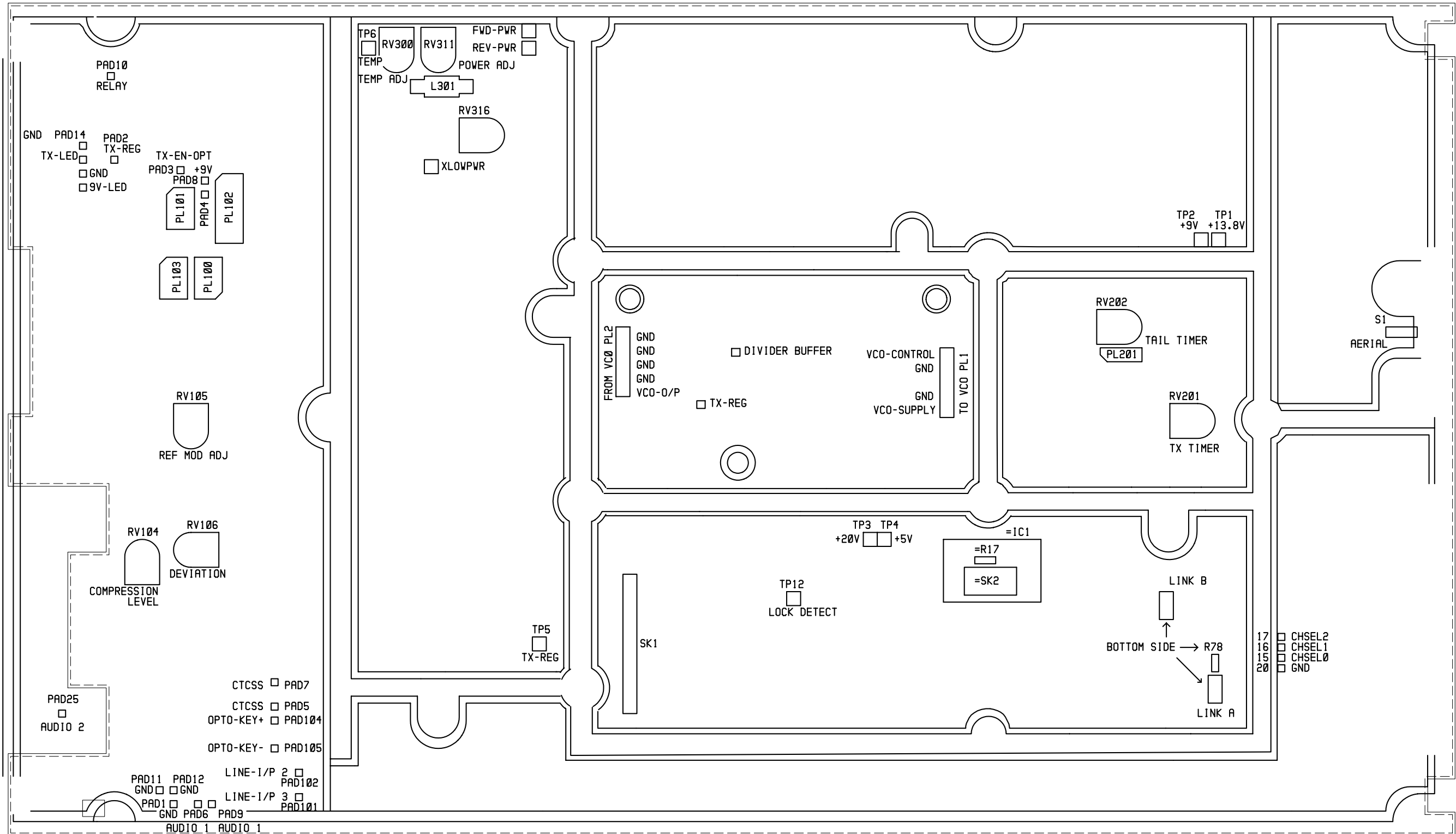




T826 PCB Layout  
Top Side  
220-01262-01



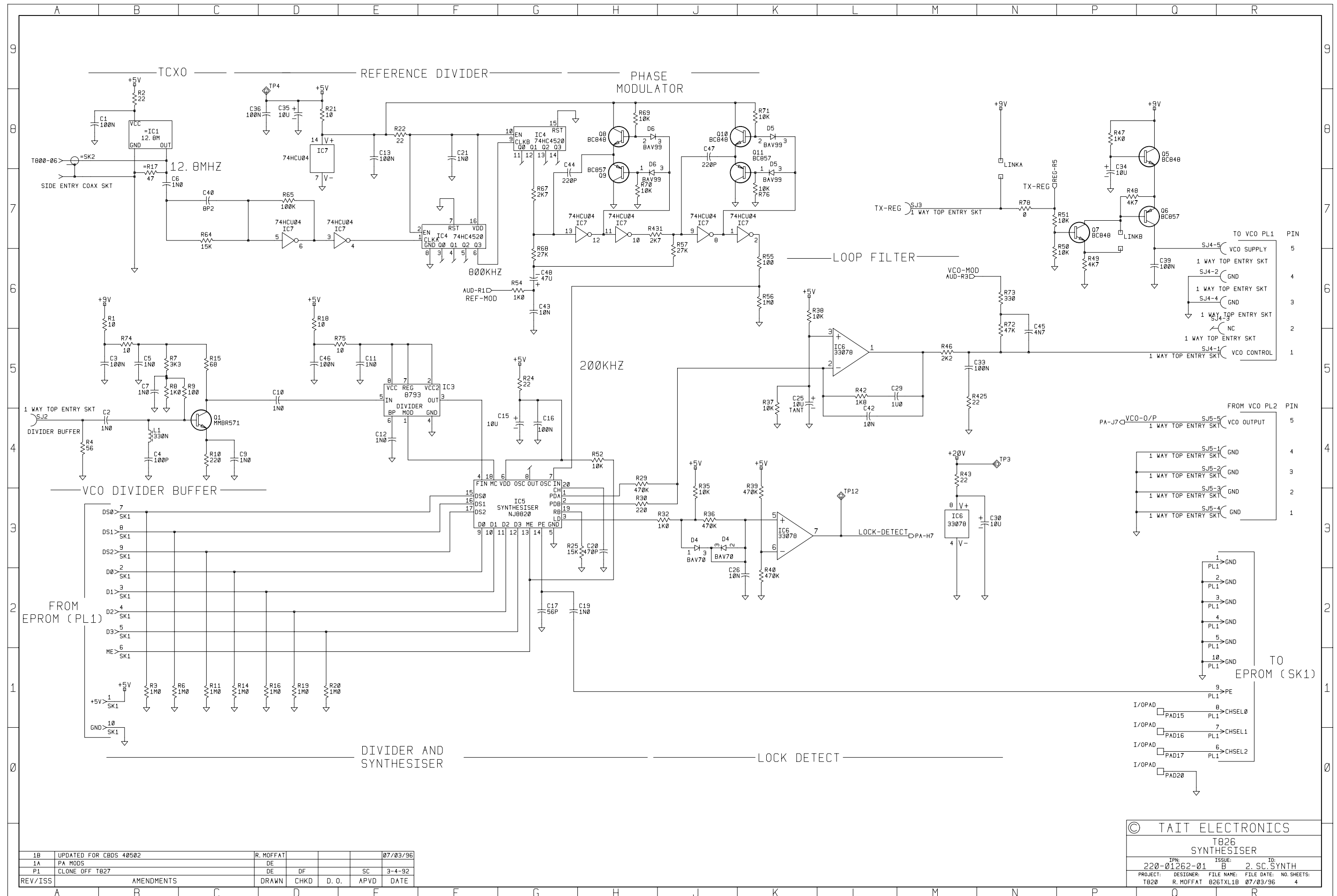
T826 PCB Layout  
Bottom Side  
220-01262-01



**T826 Test Points & Options**  
 Top & Bottom Side  
 (shown from top side)  
 220-01262-01

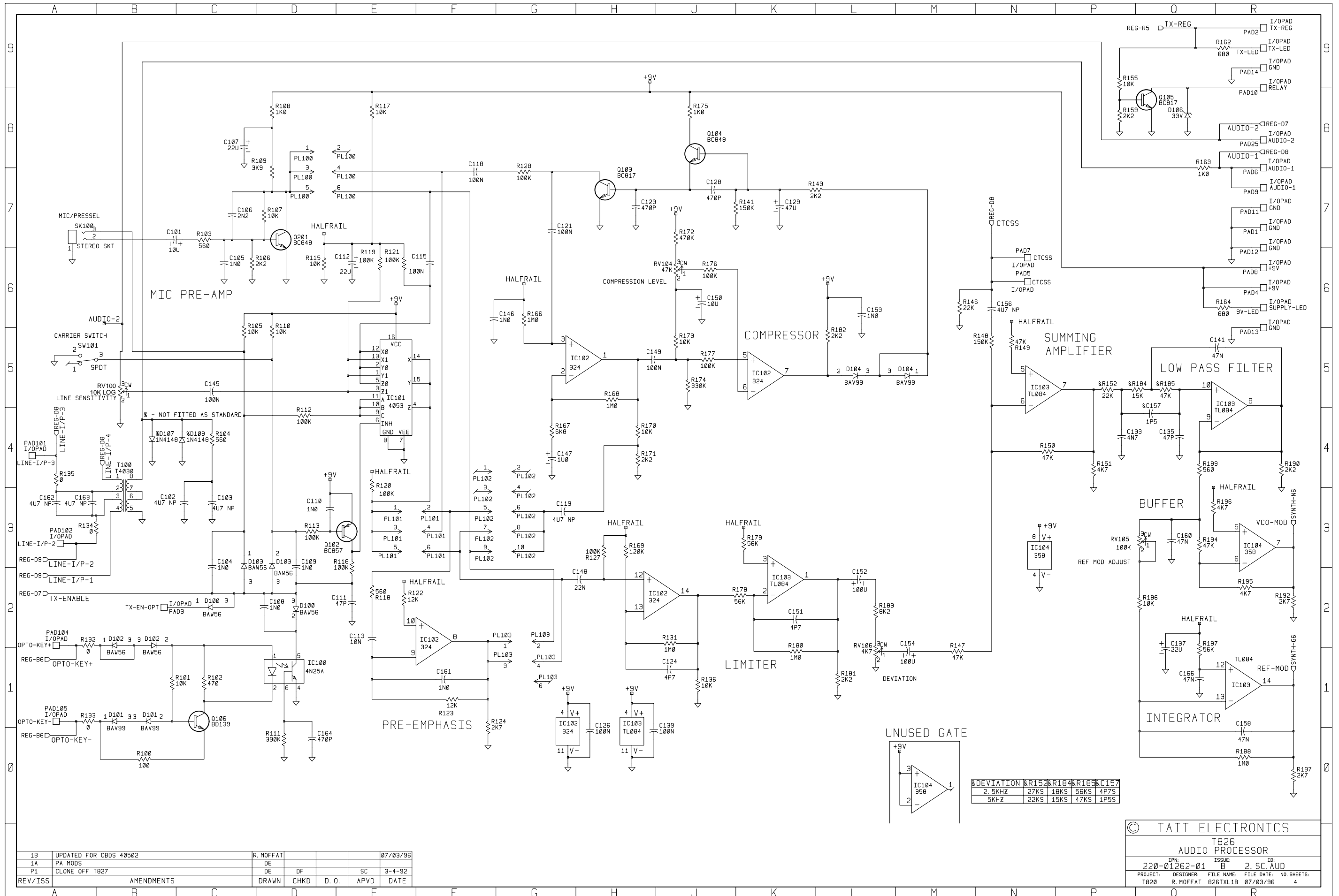






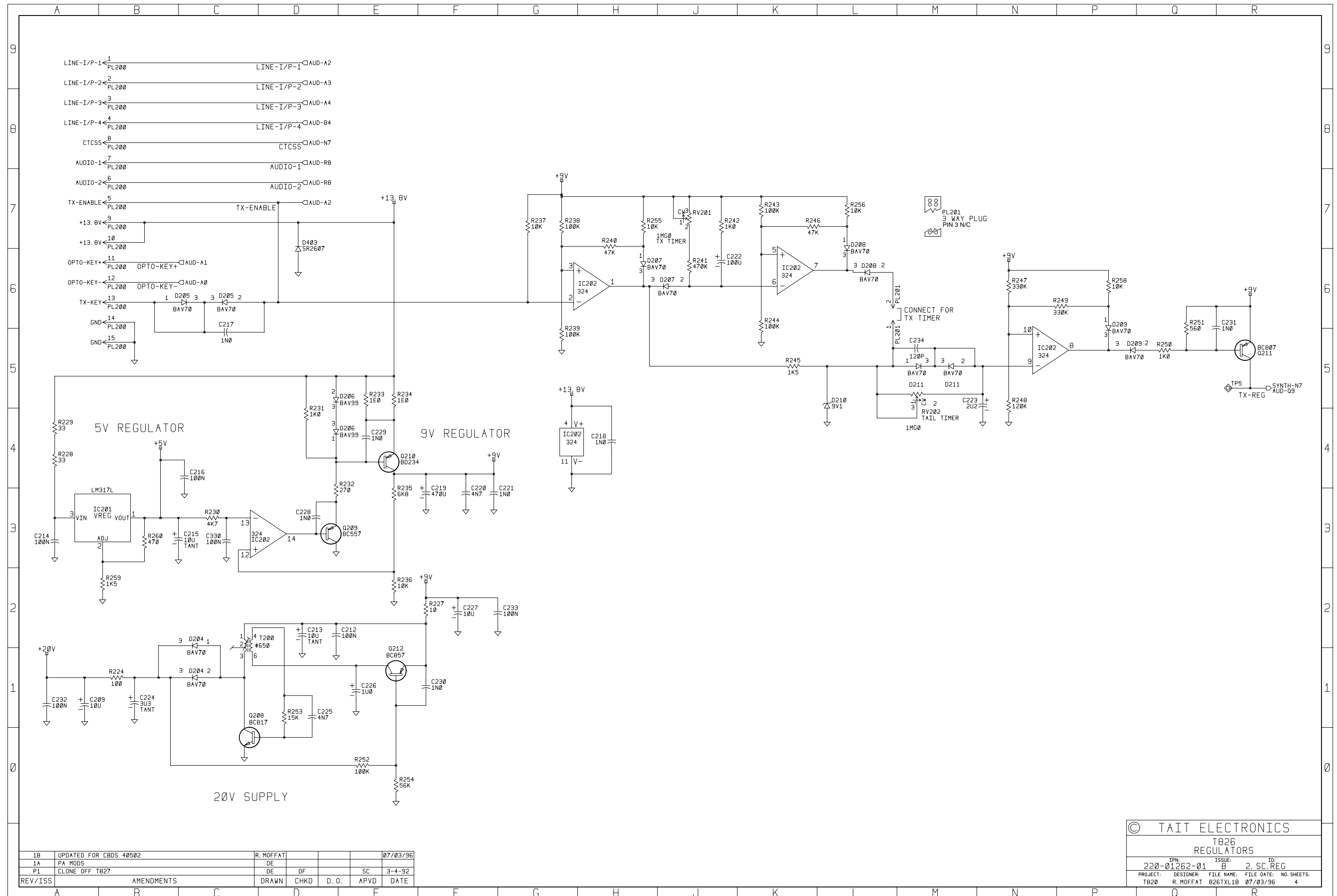
1B	UPDATED FOR CBDS 40502	R. MOFFAT			07/03/96
1A	PA MODS	DE			
P1	CLONE OFF T827	DE	DF	SC	3-4-92
REV/ISS	AMENDMENTS	DRAWN	CHKD	D. O.	APVD
					DATE

© TAIT ELECTRONICS					
T826 SYNTHESISER					
TPN:	220-01262-01	ISSUE:	3	ID:	2 SC.SYNTH
PROJECT:	T826	DESIGNER:	R. MOFFAT	FILE NAME:	826TXL1B
				FILE DATE:	07/03/96
				NO. SHEETS:	4



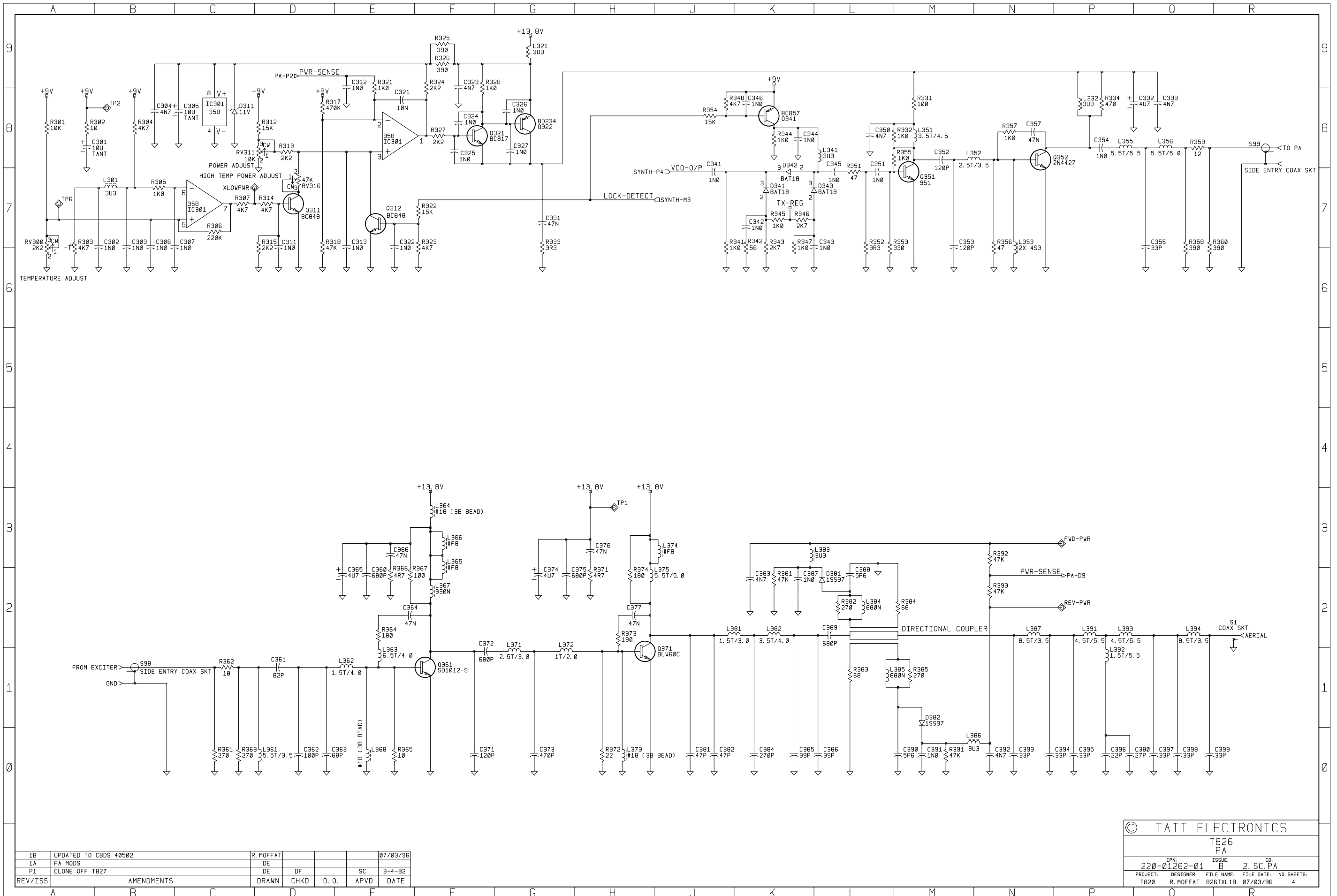
1B	UPDATED FOR CBDS 40502	R. MOFFAT			07/03/96
1A	PA MODS	DE			
P1	CLONE OFF T827	DE	DF	SC	3-4-92
REV/ISS	AMENDMENTS	DRAWN	CHKD	D. O.	APVD DATE

© TAIT ELECTRONICS			
T826 AUDIO PROCESSOR			
IPN:	ISSUE:	ID:	
220-01262-01	B	2	SC AUD
PROJECT:	DESIGNER:	FILE NAME:	FILE DATE:
T820	R. MOFFAT	B26TXL1B	07/03/96
			NO. SHEETS:
			4



1B	UPDATED FOR CBDS 40502	R. MOFFAT			07/03/96
1A	PA MODS	DE			
P1	CLONE OFF T027	DE	DF	SC	3-4-92
REV/ISS	AMENDMENTS	DRAWN	CHKD	D. O.	APVD
					DATE

© TAIT ELECTRONICS					
T826 REGULATORS					
TPN:	220-01262-01	ISSUE:	B	ID:	2 SC.REG
PROJECT:	T820	DESIGNER:	R. MOFFAT	FILE NAME:	826TXL18
		FILE DATE:	07/03/96	NO. SHEETS:	4



1B	UPDATED TO CBDS 40502	R. MOFFAT			07/03/96
1A	PA MODS	DE			
P1	CLONE OFF T827	DE	DF	SC	3-4-92
REV/ISS	AMENDMENTS	DRAWN	CHKD	D. O.	APVD DATE

© TAIT ELECTRONICS			
T826 PA			
IPN:	ISSUE:	ID:	
220-01262-01	B	2	SC PA
PROJECT:	DESIGNER:	FILE NAME:	FILE DATE:
T820	R. MOFFAT	B26TXL1B	07/03/96
			NO. SHEETS: 4